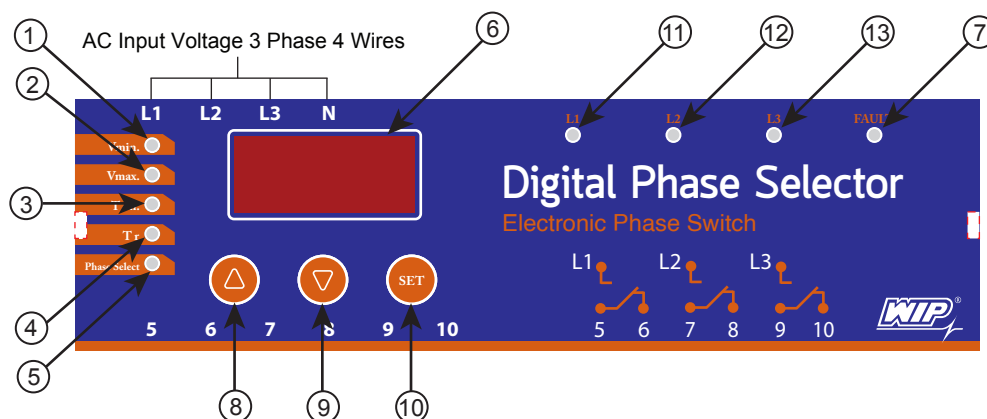




Digital Phase Selector

Nominal Phase Voltage, V	220
Mains frequency, Hz	50-60
Trip threshold for Vmin	160-210
Trip threshold for Vmax	230-280
Adjustable reset delay, Ton, s	1-600
Return delay range to the priority phase, Tr, (5—200), s	present
Return delay range to the priority phase, Tr, (200 -- ∞), s	absent
Accuracy, V	±2
Maximum switched current of output contacts, @ no less than	16A
Operating phase voltage, V	400
Transient withstand, V	450
Power consumption (under load), V, not more than	2
Life of output contacts: <ul style="list-style-type: none"> under load 16 A , operations, no less than under load 5 A , operations, not more than 	100 000 1 mln.
Operating temperature, °C	from -10 to +55
Storage temperature, °C	from -10 to +70
Weight, no more than, kg	0.200
Case dimension, mm (WxLxH in mm.)	156.5x86.3x57.9
Mounting 35 mm DIN-rail	
Mounting position arbitrary	

Control Description Diagram

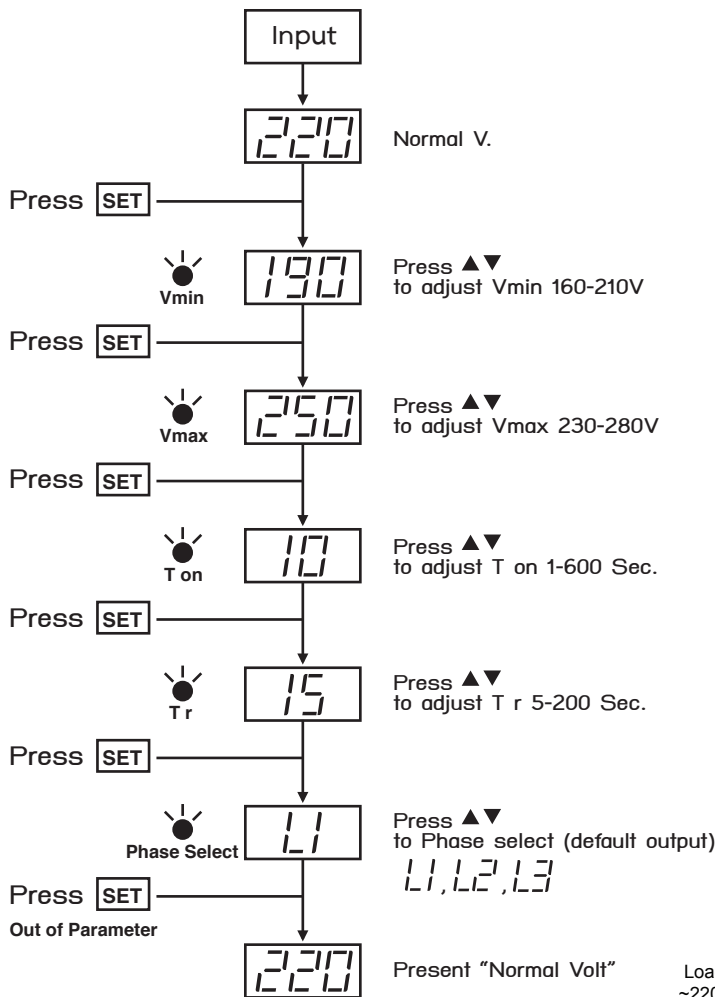


- Indicator V min.
- Indicator V max.
- Indicator T on.
- Indicator T r
- Indicator Phase Select

- 7-segment Display
- Indicator Fault
- Button Up
- Button Down
- Button Set

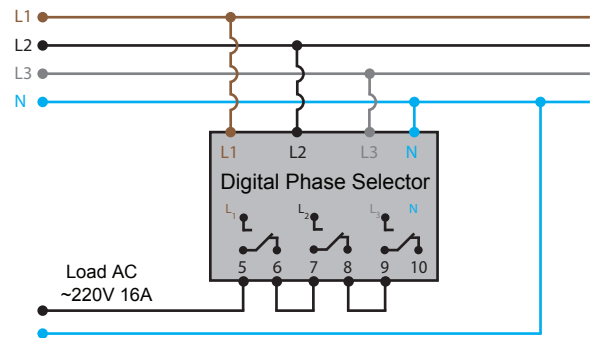
- Indicator L1
- Indicator L2
- Indicator L3

Parameter Setting



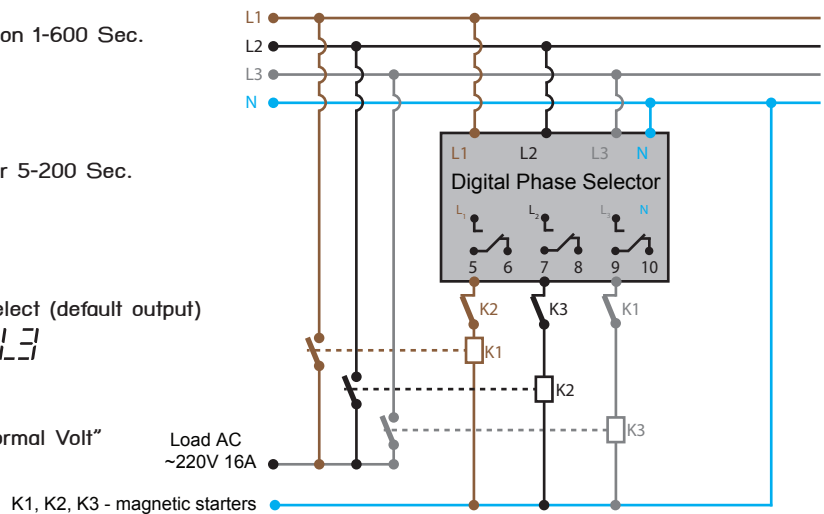
Wiring Diagram No.1

Connection when load is no more than 16A (Apply jumper straps between the 6-7 and 8-9 terminals)



Wiring Diagram No.2

Magnetic starters-assisted connection under load more than 16A (remove jumper straps between the 6-7 and 8-9)



Dimension

