



THAI SWITCHBOARD AND METAL WORK CO., LTD.



Cable Trunking system CATALOG

INNOVATIVE TECHNOLOGY
SUPERIOR QUALITY
COMPETITIVE PRODUCT PRICE



WWW.TAMCO.CO.TH



WIRE WAY

- Suitable for indoor electrical installation system or communication cable
- Commonly used for cable management system
- Can be mounted to walls or ceilings, installed on the floor
- Coated in Polyester powder paint in Cream or Gray color
- Available for Hot-dip galvanized coating and stainless steel (SUS304) material



PERFORATED TRAY

- Generally used for moderate heat-generating electrical system or telecommunication applications
- Offer good ventilation to cables
- Can be mounted to walls or ceilings
- Coated in Hot-dip galvanized



CABLE TRAY

- Suitable for indoor and outdoor electrical installation system
- Commonly used for heavy duty cable routing
- Can be mounted to walls or ceilings
- Coated in Polyester powder paint in Cream color or Gray color
- Available for Hot-dip galvanized coating



CABLE LADDER

- Suitable for indoor and outdoor electrical installation system
- Commonly used for heavy duty cable routing and high temperature cables
- Can be mounted to walls and ceilings
- Coated in Polyester powder paint in Cream color or Gray color
- Available for Hot-dip galvanized coating



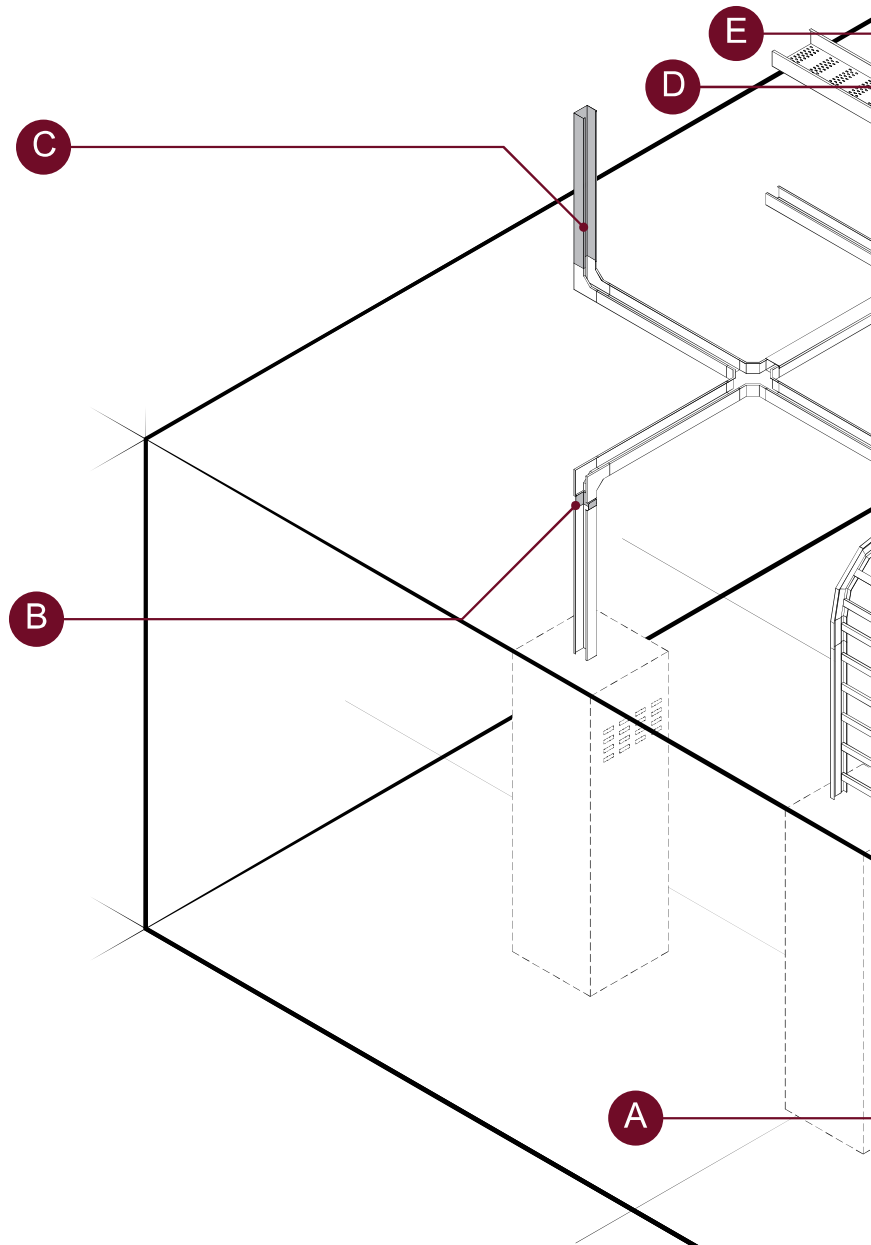


Contents

Installation Map	1
Product Specification & Price Lists	
Wire Way and its accessories: WS Series	3
Perforated Tray and its accessories: PFT Series	11
Cable Tray: TSR Series	23
Cable Ladder: TQR Series	27
Covers & Accessories for TSR and TQR Series	31
Other Products	43

Installation Map

Sample plant layout



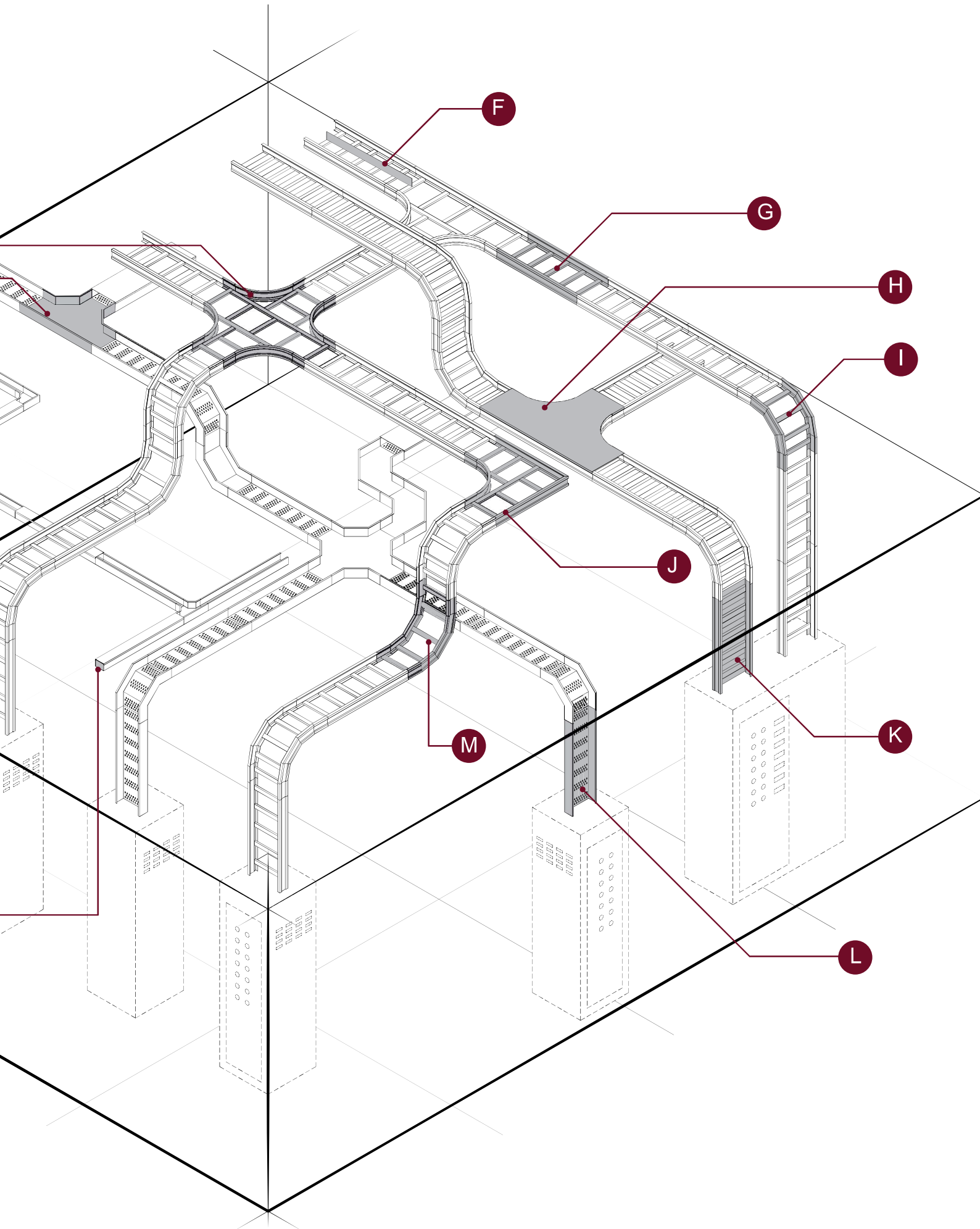
Application

- Commercial
- Schools
- Hospitals
- Office buildings
- Airports
- Agro industry
- Stadiums
- Industrial
- Petrochemical plants
- Automotive plants
- Paper plants
- Food processing
- Power plants
- Refineries
- Manufacturing
- Mining

TAMCO

- A - Blind end
- B - Splice plate
- C - Wire way
- D - Horizontal tee
- E - Horizontal cross
- F - Divider strip
- G - Cable ladder
- H - Flat cover
- I - Outside vertical riser
- J - Horizontal 90° elbow
- K - Cable tray
- L - Perforated tray
- M - Inside vertical riser

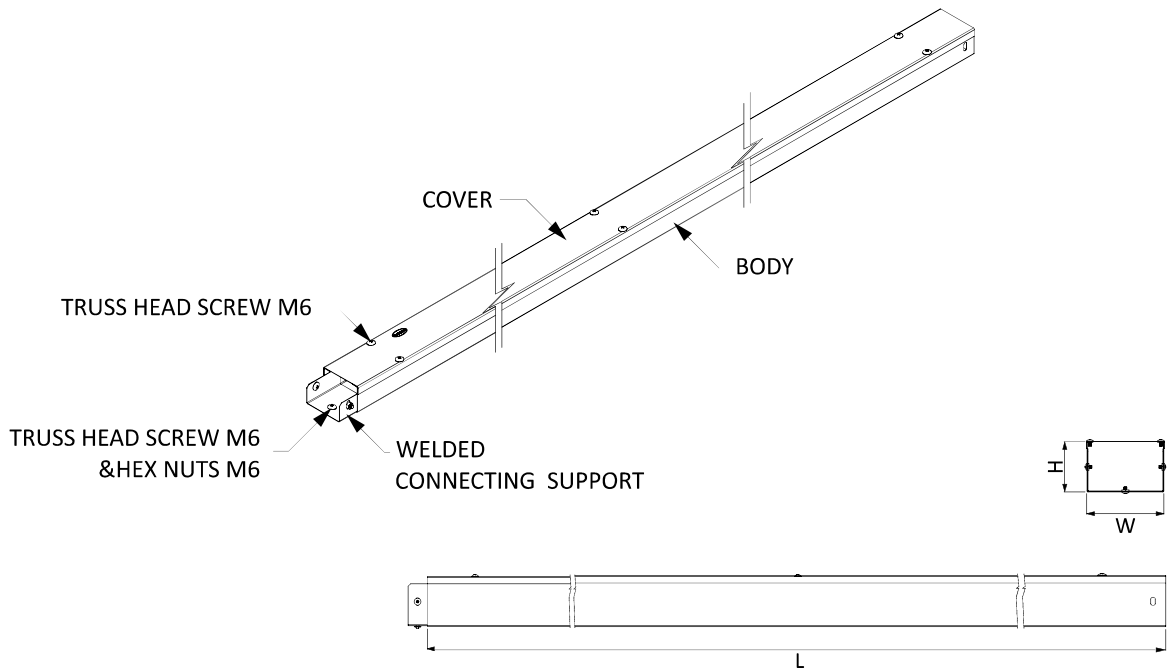
INSTALLATION MAP





Specification

Material	SPCC - Cold-rolled mild steel (For Paint)		
	SS400 - Hot-rolled mild steel (For HDG)		
Thickness	Body	Cover	Accessories
SPCC	1.0 mm.	1.0 mm.	1.0 mm.
SS400	2.0 mm.	2.0 mm.	2.0 mm.
Finished Surface	Polyester powder paint in RAL7032 or RAL7012		
	SS400 with Hot-dip galvanized coating		
Assembly Method	-		
Supply Include	Cover		
	Screw set for the cover (White zinc)		



Price List

Model	Size (mm.)			Unit Price	
	Width	Height	Length	Paint	HDG
WS-2x3x8	75	50	2440	490.00	1,440.00
WS-2x4x8	100	50	2440	565.00	1,700.00
WS-3x4x8	100	75	2440	655.00	2,000.00
WS-4x4x8	100	100	2440	725.00	2,300.00
WS-4x6x8	150	100	2440	880.00	2,685.00
WS-4x8x8	200	100	2440	1,050.00	3,175.00
WS-4x10x8	250	100	2440	1,370.00	3,650.00
WS-6x6x8	150	150	2440	1,050.00	3,175.00
WS-6x8x8	200	150	2440	1,370.00	3,650.00
WS-6x10x8	250	150	2440	1,580.00	4,200.00
WS-6x12x8	300	150	2440	1,790.00	4,800.00
WS-8x12x8	300	200	2440	2,000.00	5,200.00

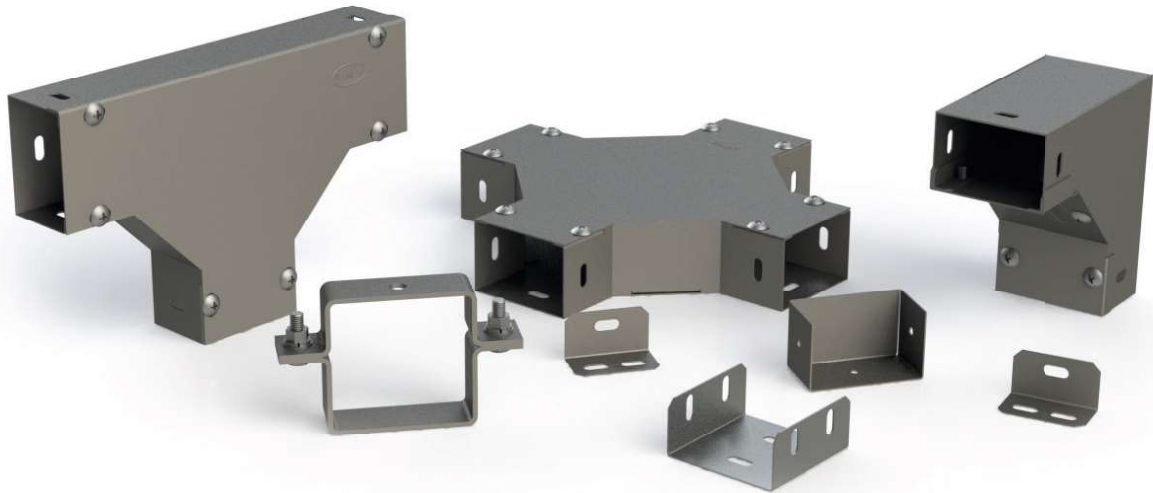
Bolts for WS (Cover)		Qty. per set
Truss head screw		
Truss head screw	M6x10L	1
Price per set		
	White Zinc	1.50
	SS304	3.00

1 set of cover use 6 sets of bolts and nuts
 1 ชุดใช้ชุดน็อต 6 ชุด

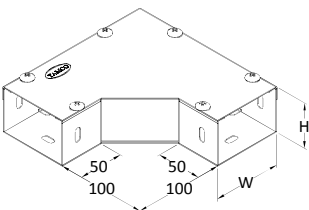
Bolts and Nuts for connect WS			Qty. per set
Truss head screw set			
Truss head screw	M6x10L	1	1
Nut	M6	1	
Price per set			
	White Zinc	2.50	3
	SS304	5.00	

1 set of connect uses 3 sets of bolts and nuts
 1 ชุดใช้ชุดน็อต 3 ชุด

ACCESSORIES & CONNECTING SET:

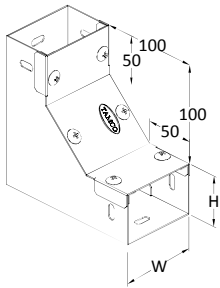


ELBT: 90° Elbow Top Opening (ข้องอเปิดด้านบน)



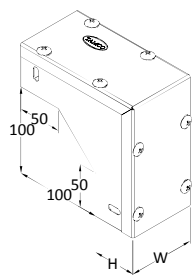
Model	Size (mm.)		Unit Price	
	Width	Height	Paint	HDG
ELBT-2x3	75	50	250.00	735.00
ELBT-2x4	100	50	260.00	850.00
ELBT-3x4	100	75	280.00	945.00
ELBT-4x4	100	100	300.00	1,095.00
ELBT-4x6	150	100	375.00	1,300.00
ELBT-4x8	200	100	465.00	1,525.00
ELBT-4x10	250	100	600.00	1,775.00
ELBT-6x6	150	150	465.00	1,525.00
ELBT-6x8	200	150	600.00	1,775.00
ELBT-6x10	250	150	750.00	2,035.00
ELBT-6x12	300	150	850.00	2,270.00
ELBT-8x12	300	200	955.00	2,565.00

ELBI: 90° Elbow Inside Opening (ข้ออเปิดด้านใน)



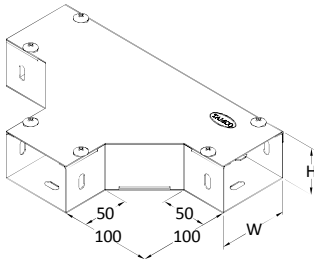
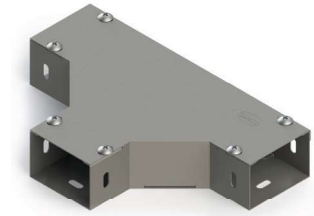
Model	Size (mm.)		Unit Price	
	Width	Height	Paint	HDG
ELBI-2x3	75	50	250.00	735.00
ELBI-2x4	100	50	260.00	850.00
ELBI-3x4	100	75	280.00	945.00
ELBI-4x4	100	100	300.00	1,095.00
ELBI-4x6	150	100	375.00	1,300.00
ELBI-4x8	200	100	465.00	1,525.00
ELBI-4x10	250	100	600.00	1,775.00
ELBI-6x6	150	150	465.00	1,525.00
ELBI-6x8	200	150	600.00	1,775.00
ELBI-6x10	250	150	750.00	2,035.00
ELBI-6x12	300	150	850.00	2,270.00
ELBI-8x12	300	200	955.00	2,565.00

ELBO: 90° Elbow Outside Opening (ข้ออเปิดด้านนอก)



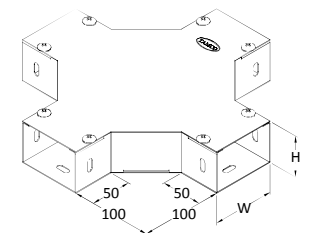
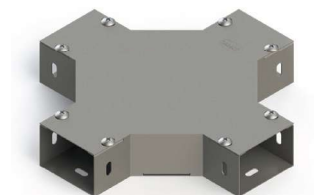
Model	Size (mm.)		Unit Price	
	Width	Height	Paint	HDG
ELBO-2x3	75	50	250.00	735.00
ELBO-2x4	100	50	260.00	850.00
ELBO-3x4	100	75	280.00	945.00
ELBO-4x4	100	100	300.00	1,095.00
ELBO-4x6	150	100	375.00	1,300.00
ELBO-4x8	200	100	465.00	1,525.00
ELBO-4x10	250	100	600.00	1,775.00
ELBO-6x6	150	150	465.00	1,525.00
ELBO-6x8	200	150	600.00	1,775.00
ELBO-6x10	250	150	750.00	2,035.00
ELBO-6x12	300	150	850.00	2,270.00
ELBO-8x12	300	200	955.00	2,565.00

TT: 3-Way Top Opening (ช่องอ 3 ทาง เปิดด้านบน)



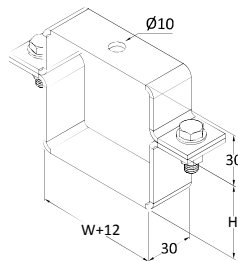
Model	Size (mm.)		Unit Price	
	Width	Height	Paint	HDG
TT-2x3	75	50	350.00	900.00
TT-2x4	100	50	375.00	1,035.00
TT-3x4	100	75	390.00	1,080.00
TT-4x4	100	100	425.00	1,225.00
TT-4x6	150	100	520.00	1,435.00
TT-4x8	200	100	635.00	1,700.00
TT-4x10	250	100	800.00	1,935.00
TT-6x6	150	150	635.00	1,700.00
TT-6x8	200	150	800.00	1,935.00
TT-6x10	250	150	880.00	2,000.00
TT-6x12	300	150	990.00	2,275.00
TT-8x12	300	200	1,100.00	2,765.00

XT: Horizontal Cross (ช่องอ 4 ทาง เปิดด้านบน)

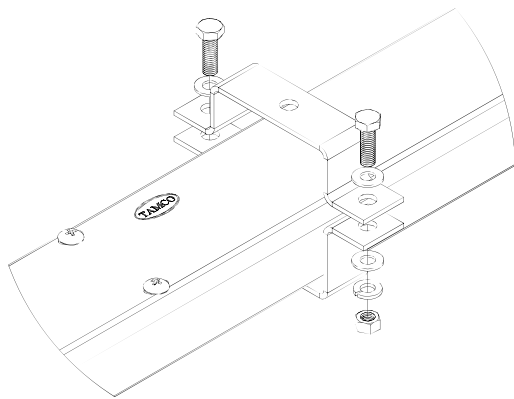


Model	Size (mm.)		Unit Price	
	Width	Height	Paint	HDG
XT-2x3	75	50	400.00	1,175.00
XT-2x4	100	50	450.00	1,255.00
XT-3x4	100	75	485.00	1,325.00
XT-4x4	100	100	530.00	1,400.00
XT-4x6	150	100	585.00	1,725.00
XT-4x8	200	100	785.00	2,100.00
XT-4x10	250	100	1,000.00	2,250.00
XT-6x6	150	150	785.00	2,100.00
XT-6x8	200	150	1,000.00	2,250.00
XT-6x10	250	150	1,100.00	2,435.00
XT-6x12	300	150	1,200.00	2,545.00
XT-8x12	300	200	1,250.00	2,770.00

H: Hanger (ตัวแขวนสายเวย์)



Model	Size (mm.)		Unit Price	
	Width	Height	Paint	HDG
H-2x3	75	50	70.00	95.00
H-2x4	100	50	80.00	115.00
H-3x4	100	75	85.00	120.00
H-4x4	100	100	90.00	125.00
H-4x6	150	100	100.00	140.00
H-4x8	200	100	130.00	160.00
H-4x10	250	100	160.00	190.00
H-6x6	150	150	130.00	160.00
H-6x8	200	150	160.00	190.00
H-6x10	250	150	190.00	230.00
H-6x12	300	150	210.00	240.00
H-8x12	300	200	240.00	270.00

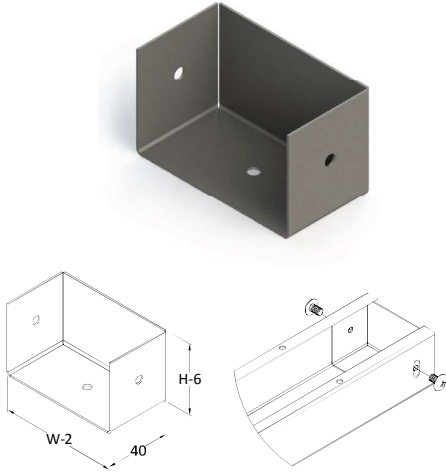


Bolts and Nuts for H HEX head Bolt set		Qty. per set
Hex head bolt	M8x25L	1
Nut	M8	1
Flat washer	M8	2
Spring washer	M8	1
Price per set		
White Zinc		5.00
SS304		15.00

1 set of H uses 2 sets of bolts and nuts

ตัวแขวนสายเวย์ 1 ชุดใช้ชุดนี้ 2 ชุด

WSC: Blind End (ปิดท้ายสายเวย์)

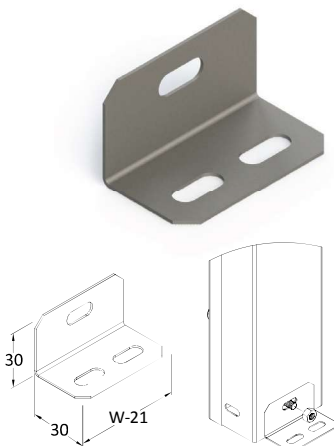


Bolts and Nuts for WSC		Qty. per set
Truss head screw		
M6x10L		1
Price per set		
White Zinc		1.50
SS304		3.00

1 set of WSC uses 3 sets of bolts and nuts
ปิดท้ายสายเวย์ 1 ชุดใช้ชุดน๊อต 3 ชุด

Model	Size (mm.)		Unit Price	
	Width	Height	Paint	HDG
WSC-2x3	75	50	50.00	130.00
WSC-2x4	100	50	50.00	130.00
WSC-3x4	100	75	65.00	140.00
WSC-4x4	100	100	65.00	150.00
WSC-4x6	150	100	70.00	150.00
WSC-4x8	200	100	90.00	170.00
WSC-4x10	250	100	105.00	180.00
WSC-6x6	150	150	90.00	170.00
WSC-6x8	200	150	105.00	180.00
WSC-6x10	250	150	110.00	250.00
WSC-6x12	300	150	120.00	300.00
WSC-8x12	300	200	125.00	330.00

WSU: Flange End (ข้อต่อลงตู้สายเวย์)

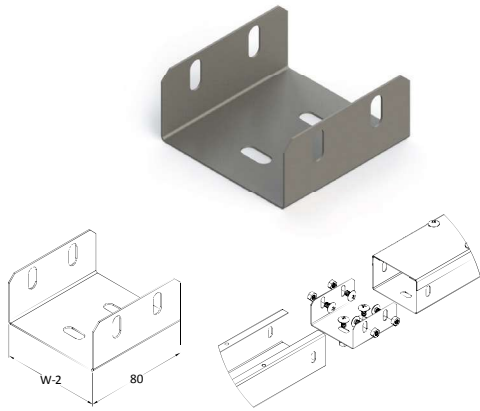


Bolts and Nuts for WSU		Qty. per set
Truss head screw set		
Truss head screw	M6x10L	1
Nut	M6	1
Price per set		
White Zinc		2.50
SS304		5.00

1 set of WSU uses 3 sets of bolts and nuts
ข้อต่อลงตู้สายเวย์ 1 ชุดใช้ชุดน๊อต 3 ชุด

Model	Size (mm.)		Unit Price	
	Width	Height	Paint	HDG
WSU-2x3	75	50	50.00	130.00
WSU-2x4	100	50	50.00	130.00
WSU-3x4	100	75	65.00	140.00
WSU-4x4	100	100	65.00	150.00
WSU-4x6	150	100	70.00	150.00
WSU-4x8	200	100	90.00	170.00
WSU-4x10	250	100	105.00	180.00
WSU-6x6	150	150	90.00	170.00
WSU-6x8	200	150	105.00	180.00
WSU-6x10	250	150	110.00	250.00
WSU-6x12	300	150	120.00	300.00
WSU-8x12	300	200	125.00	330.00

WSG: Splice Plate (ข้อต่อตรง)



Bolts and Nuts for WSG Truss head screw set		Qty. per set
Truss head screw	M6x10L	1
Nut	M6	1
Price per set		
White Zinc		2.50
SS304		5.00

1 set of WSG uses 6 sets of bolts and nuts
ข้อต่อตรง 1 ชุดใช้ชุดน๊อต 6 ชุด

Model	Size (mm.)		Unit Price	
	Width	Height	Paint	HDG
WSG-2x3	75	50	50.00	130.00
WSG-2x4	100	50	50.00	130.00
WSG-3x4	100	75	65.00	140.00
WSG-4x4	100	100	65.00	150.00
WSG-4x6	150	100	70.00	150.00
WSG-4x8	200	100	90.00	170.00
WSG-4x10	250	100	105.00	180.00
WSG-6x6	150	150	90.00	170.00
WSG-6x8	200	150	105.00	180.00
WSG-6x10	250	150	110.00	250.00
WSG-6x12	300	150	120.00	300.00
WSG-8x12	300	200	125.00	330.00