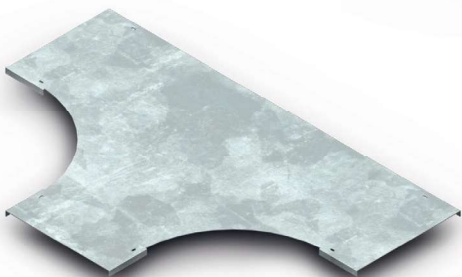
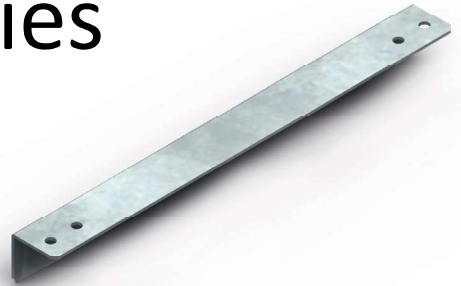
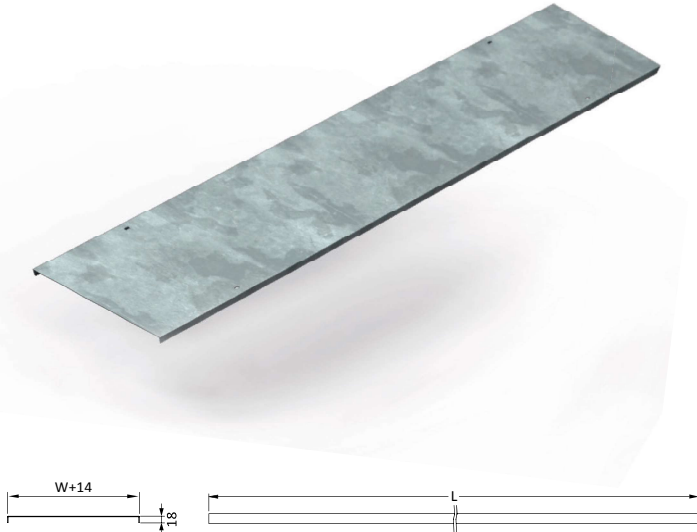


# **TSR & TQR SERIES**

## Covers & Accessories

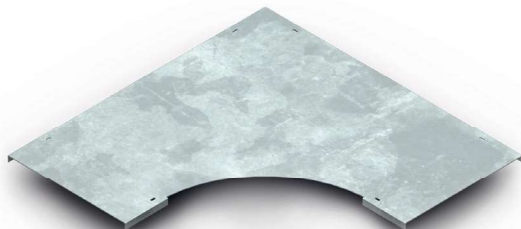


### TC: Cover for TSR & TQR (ฝาท่อนตรง)



| Model          | Size (mm.) |        | Unit Price |          |
|----------------|------------|--------|------------|----------|
|                | Width      | Length | Paint      | HDG      |
| <b>TC-200</b>  | 200        | 3000   | 1,100.00   | 1,800.00 |
| <b>TC-300</b>  | 300        | 3000   | 1,600.00   | 2,200.00 |
| <b>TC-400</b>  | 400        | 3000   | 2,200.00   | 2,700.00 |
| <b>TC-500</b>  | 500        | 3000   | 2,700.00   | 3,300.00 |
| <b>TC-600</b>  | 600        | 3000   | 3,200.00   | 3,900.00 |
| <b>TC-700</b>  | 700        | 3000   | 3,600.00   | 4,700.00 |
| <b>TC-800</b>  | 800        | 3000   | 4,000.00   | 5,200.00 |
| <b>TC-900</b>  | 900        | 3000   | 4,400.00   | 5,800.00 |
| <b>TC-1000</b> | 1000       | 3000   | 4,800.00   | 6,500.00 |

### TLAC: Cover for TSRLA & TQRLA (ฝาช่องอฉาก)



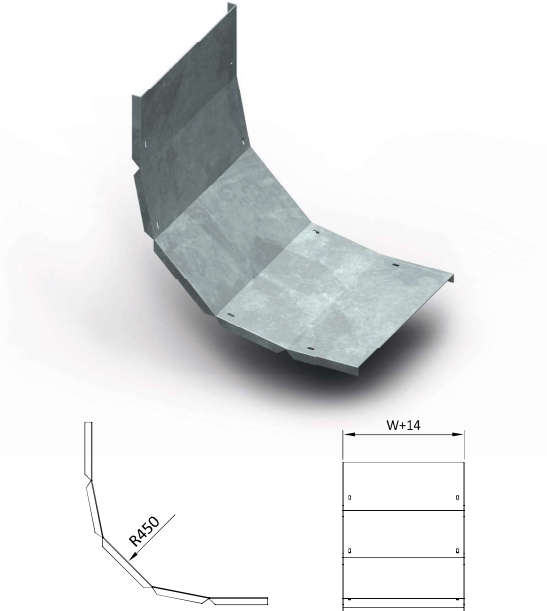
| Model            | Size (mm.) | Unit Price |          |
|------------------|------------|------------|----------|
|                  | Width      | Paint      | HDG      |
| <b>TLAC-200</b>  | 200        | 750.00     | 1,100.00 |
| <b>TLAC-300</b>  | 300        | 950.00     | 1,400.00 |
| <b>TLAC-400</b>  | 400        | 1,200.00   | 1,800.00 |
| <b>TLAC-500</b>  | 500        | 1,450.00   | 2,100.00 |
| <b>TLAC-600</b>  | 600        | 1,800.00   | 2,500.00 |
| <b>TLAC-700</b>  | 700        | 2,200.00   | 3,200.00 |
| <b>TLAC-800</b>  | 800        | 2,700.00   | 3,800.00 |
| <b>TLAC-900</b>  | 900        | 3,200.00   | 4,500.00 |
| <b>TLAC-1000</b> | 1000       | 3,500.00   | 5,000.00 |

| Bolts and Nuts for TC & TLAC<br>Truss head screw |        | Qty. per set |
|--|--------|--------------|
| Truss head screw                                 | M6x10L | 1            |
| Price per set                                    |        |              |
| White Zinc                                       |        | 1.50         |
| SS304  |        | 3.00         |

1 set of TC uses 4 sets of bolts and nuts  
ฝาท่อนตรง 1 ชุดใช้ชุดนี้ 4 ชุด

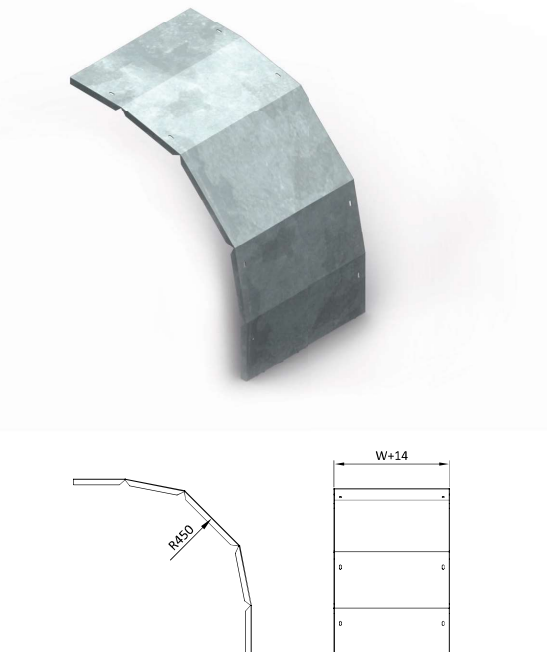
1 set of TLAC uses 6 sets of bolts and nuts  
ฝาช่องอฉาก 1 ชุดใช้ชุดนี้ 6 ชุด

### TIC: Cover for TSRI & TQRI (ฝาช่องอแนวดิ่งด้านใน)



| Model    | Size (mm.) |          |          |
|----------|------------|----------|----------|
|          | Width      | Paint    | HDG      |
| TIC-200  | 200        | 650.00   | 925.00   |
| TIC-300  | 300        | 750.00   | 1,100.00 |
| TIC-400  | 400        | 850.00   | 1,350.00 |
| TIC-500  | 500        | 1,000.00 | 1,600.00 |
| TIC-600  | 600        | 1,100.00 | 1,850.00 |
| TIC-700  | 700        | 1,200.00 | 2,100.00 |
| TIC-800  | 800        | 1,300.00 | 2,350.00 |
| TIC-900  | 900        | 1,450.00 | 2,700.00 |
| TIC-1000 | 1000       | 1,550.00 | 3,100.00 |

### TOC: Cover for TSRO & TQRO (ฝาช่องอแนวดิ่งด้านนอก)



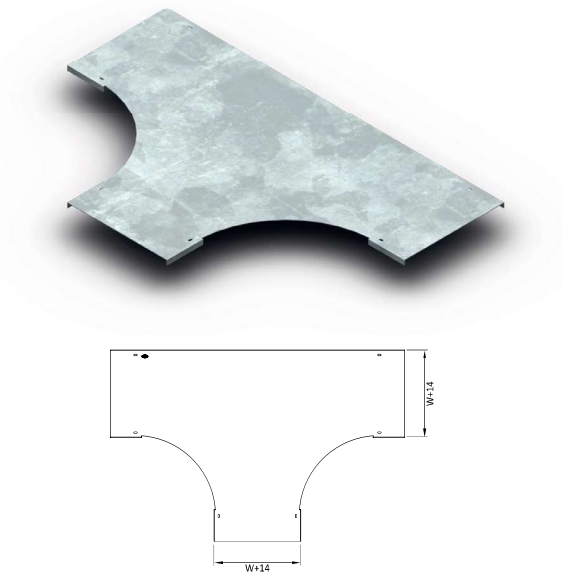
| Model    | Size (mm.) |          |          |
|----------|------------|----------|----------|
|          | Width      | Paint    | HDG      |
| TOC-200  | 200        | 650.00   | 925.00   |
| TOC-300  | 300        | 750.00   | 1,100.00 |
| TOC-400  | 400        | 850.00   | 1,350.00 |
| TOC-500  | 500        | 1,000.00 | 1,600.00 |
| TOC-600  | 600        | 1,100.00 | 1,850.00 |
| TOC-700  | 700        | 1,200.00 | 2,100.00 |
| TOC-800  | 800        | 1,300.00 | 2,350.00 |
| TOC-900  | 900        | 1,450.00 | 2,700.00 |
| TOC-1000 | 1000       | 1,550.00 | 3,100.00 |

| Bolts and Nuts for TIC & TOC<br>Truss head screw |        | Qty. per set |
|--|--------|--------------|
| Truss head screw                                 | M6x10L | 1            |
| <b>Price per set</b>                             |        |              |
| White Zinc                                       |        | 1.50         |
| SS304  |        | 3.00         |

1 set of TIC uses 8 sets of bolts and nuts  
ฝาช่องอแนวดิ่งด้านใน 1 ชุดใช้ชุดน็อต 8 ชุด

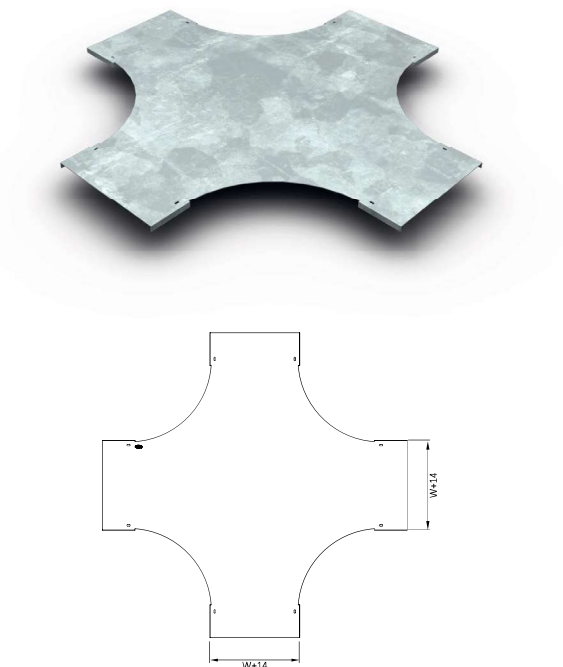
1 set of TOC uses 8 sets of bolts and nuts  
ฝาช่องอแนวดิ่งด้านนอก 1 ชุดใช้ชุดน็อต 8 ชุด

### TTC: Cover for TSRT & TQRT (ฝาช่องอ 3 ทาง)



| Model    | Size (mm.) |          |          |
|----------|------------|----------|----------|
|          | Width      | Paint    | HDG      |
| TTC-200  | 200        | 1,300.00 | 2,000.00 |
| TTC-300  | 300        | 1,600.00 | 2,300.00 |
| TTC-400  | 400        | 1,900.00 | 2,700.00 |
| TTC-500  | 500        | 2,350.00 | 3,200.00 |
| TTC-600  | 600        | 2,650.00 | 3,500.00 |
| TTC-700  | 700        | 3,250.00 | 4,500.00 |
| TTC-800  | 800        | 3,550.00 | 5,000.00 |
| TTC-900  | 900        | 4,150.00 | 5,600.00 |
| TTC-1000 | 1000       | 4,550.00 | 6,500.00 |

### TXC: Cover for TSRX & TQRX (ฝาช่องอ 4 ทาง)



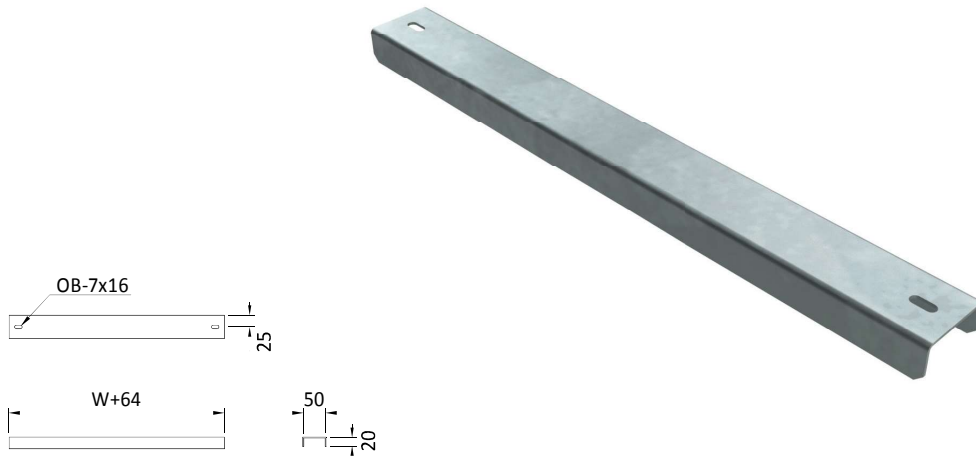
| Model    | Size (mm.) |          |          |
|----------|------------|----------|----------|
|          | Width      | Paint    | HDG      |
| TXC-200  | 200        | 2,100.00 | 2,800.00 |
| TXC-300  | 300        | 2,550.00 | 3,600.00 |
| TXC-400  | 400        | 2,950.00 | 4,400.00 |
| TXC-500  | 500        | 3,500.00 | 4,500.00 |
| TXC-600  | 600        | 3,850.00 | 5,200.00 |
| TXC-700  | 700        | 4,350.00 | 5,800.00 |
| TXC-800  | 800        | 4,800.00 | 6,500.00 |
| TXC-900  | 900        | 5,400.00 | 7,200.00 |
| TXC-1000 | 1000       | 5,800.00 | 8,000.00 |

| Bolts and Nuts for TTC & TXC Truss head screw |        | Qty. per set |
|---|--------|--------------|
| Truss head screw                              | M6x10L | 1            |
| <b>Price per set</b>                          |        |              |
| White Zinc                                    |        | 1.50         |
| SS304   |        | 3.00         |

1 set of TTC uses 6 sets of bolts and nuts  
ฝาช่องอ 3 ทาง 1 ชุดใช้ชุดนี้ 6 ชุด

1 set of TXC uses 8 sets of bolts and nuts  
ฝาช่องอ 4 ทาง 1 ชุดใช้ชุดนี้ 8 ชุด

### CC : Cover Clamp (แคลมป์ล็อกฟาราง)



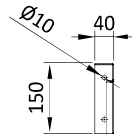
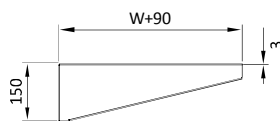
| Model          | Size (mm.) | Unit Price |        |
|----------------|------------|------------|--------|
|                |            | Paint      | HDG    |
|                | Width      |            |        |
| <b>CC-200</b>  | 200        | 340.00     | 360.00 |
| <b>CC-300</b>  | 300        | 360.00     | 390.00 |
| <b>CC-400</b>  | 400        | 390.00     | 420.00 |
| <b>CC-500</b>  | 500        | 420.00     | 450.00 |
| <b>CC-600</b>  | 600        | 450.00     | 480.00 |
| <b>CC-700</b>  | 700        | 480.00     | 510.00 |
| <b>CC-800</b>  | 800        | 510.00     | 540.00 |
| <b>CC-900</b>  | 900        | 540.00     | 570.00 |
| <b>CC-1000</b> | 1000       | 570.00     | 600.00 |



| Bolts and Nuts for CC<br>J-Lock bolt set |         | Qty. per set |
|--|---------|--------------|
| J-Lock                                   | M6x150L | 1            |
| Nut                                      | M6      | 1            |
| Flat washer                              | M6      | 1            |
| Spring washer                            | M6      | 1            |
| Price per set                            |         |              |
| White Zinc                               |         | 50.00        |
| SS304                                    |         | 75.00        |

1 set of CC uses 2 sets of bolts and nuts  
แคลมป์ล็อกฟาราง 1 ชุดใช้ชุดน็อต 2 ชุด

### BK: Bracket Support (แป้นรองรับ)



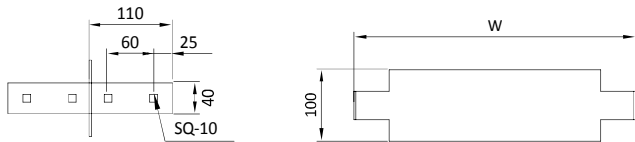
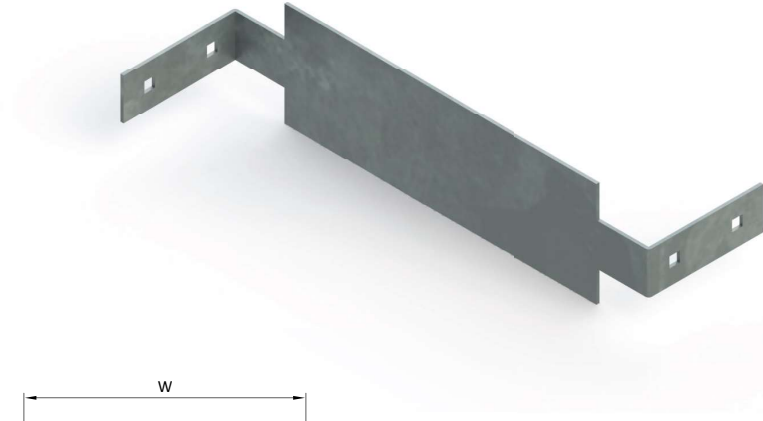
| Model   | Size (mm.) | Unit Price |        |
|---------|------------|------------|--------|
|         |            | Paint      | HDG    |
|         | Width      |            |        |
| BK-200  | 200        | 200.00     | 260.00 |
| BK-300  | 300        | 260.00     | 330.00 |
| BK-400  | 400        | 320.00     | 400.00 |
| BK-500  | 500        | 370.00     | 480.00 |
| BK-600  | 600        | 430.00     | 550.00 |
| BK-700  | 700        | 480.00     | 630.00 |
| BK-800  | 800        | 550.00     | 700.00 |
| BK-900  | 900        | 650.00     | 770.00 |
| BK-1000 | 1000       | 700.00     | 850.00 |



| Bolts and Nuts for BK<br>HEX head bolt set |        | Qty. per set |
|--|--------|--------------|
| HEX head bolt                              | M8x25L | 1            |
| Nut  | M8     | 1            |
| Flat washer                                | M8     | 2            |
| Spring washer                              | M8     | 1            |
| Price per set                              |        |              |
| White Zinc                                 |        | 5.00         |
| SS304                                      |        | 15.00        |

1 set of BK uses 4 sets of bolts and nuts  
แป้นรองรับ 1 ชุด ใช้ ชุดน็อต 4 ชุด

RP : Reducēer Platē (อ้อตอลดด้ ำนำง)



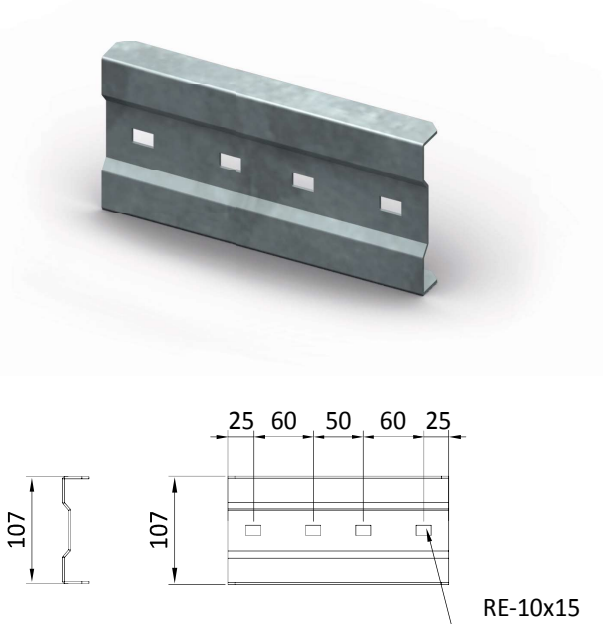
| Model  | Size (mm.) | Unit Price |        |
|--------|------------|------------|--------|
|        |            | Paint      | HDG    |
|        | Width      |            |        |
| RP-100 | 100        | 100.00     | 120.00 |
| RP-200 | 200        | 125.00     | 145.00 |
| RP-300 | 300        | 160.00     | 170.00 |
| RP-400 | 400        | 185.00     | 195.00 |
| RP-500 | 500        | 210.00     | 220.00 |
| RP-600 | 600        | 235.00     | 245.00 |
| RP-700 | 700        | 260.00     | 270.00 |
| RP-800 | 800        | 285.00     | 295.00 |
| RP-900 | 900        | 310.00     | 320.00 |



| Bolts and Nuts for RP CUP square neck set |        | Qty. per set |
|---|--------|--------------|
| CUP square neck bolt                      | M8x20L | 1            |
| Nut                                       | M8     | 1            |
| Flat washer                               | M8     | 1            |
| Spring washer                             | M8     | 1            |
| Price per set                             |        |              |
| White Zinc                                |        | 5.00         |
| SS304                                     |        | 15.00        |

1 set of RP uses 4 sets of bolts and nuts  
 อ้อตอลดด้ำนกำนำง 1 ชุดใช้ชุดน้อด 4 ชุด

### SP: Splice Plate (ข้อต่อตรง)

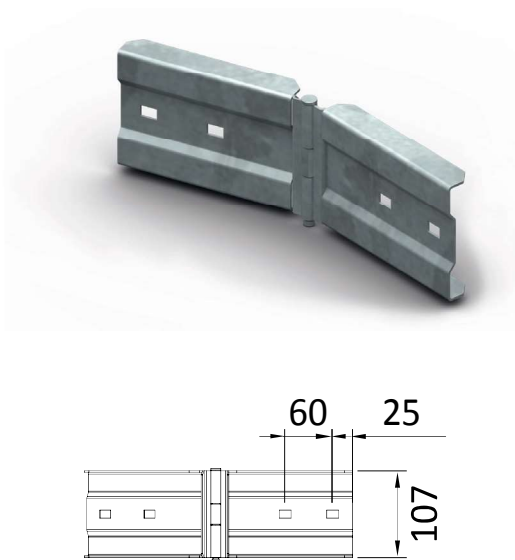


| Model  | Size (mm.) |       |        |
|--------|------------|-------|--------|
|        | Height     | Paint | HDG    |
| SP-100 | 100        | 80.00 | 120.00 |

| Bolts and Nuts for SP<br>CUP square neck set |        | Qty. per set |
|--|--------|--------------|
| CUP square neck bolt                         | M8x20L | 1            |
| Nut  | M8     | 1            |
| Flat washer                                  | M8     | 1            |
| Spring washer                                | M8     | 1            |
| Price per set                                |        |              |
| White Zinc                                   |        | 5.00         |
| SS304  |        | 15.00        |

1 set of SP uses 4 sets of bolts and nuts  
ข้อต่อตรง 1 ชุดใช้ชุดน๊อต 4 ชุด

### HLR: Horizontal Adjustable Splice Plate (ข้อต่อปรับซ้าย-ขวา)



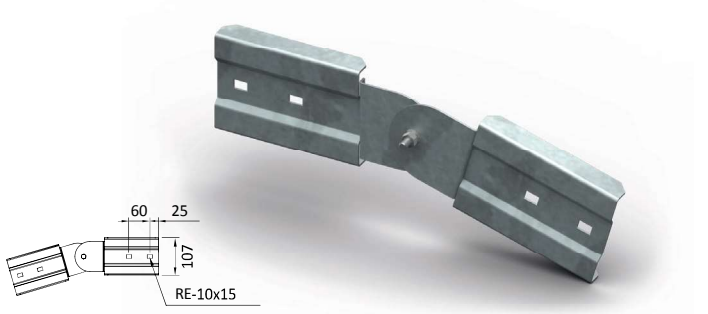
| Model   | Size (mm.) |        |        |
|---------|------------|--------|--------|
|         | Height     | Paint  | HDG    |
| HLR-100 | 100        | 200.00 | 300.00 |

| Bolts and Nuts for HLR<br>CUP square neck set |        | Qty. per set |
|---|--------|--------------|
| CUP square neck bolt                          | M8x20L | 1            |
| Nut   | M8     | 1            |
| Flat washer                                   | M8     | 1            |
| Spring washer                                 | M8     | 1            |
| Price per set                                 |        |              |
| White Zinc                                    |        | 5.00         |
| SS304   |        | 15.00        |

1 set of HLR uses 4 sets of bolts and nuts  
ข้อต่อปรับซ้าย-ขวา 1 ชุดใช้ชุดน๊อต 4 ชุด



### VSP: Vertical Adjustable Splice Plate (ข้อต่อโยกขึ้น-ลง)



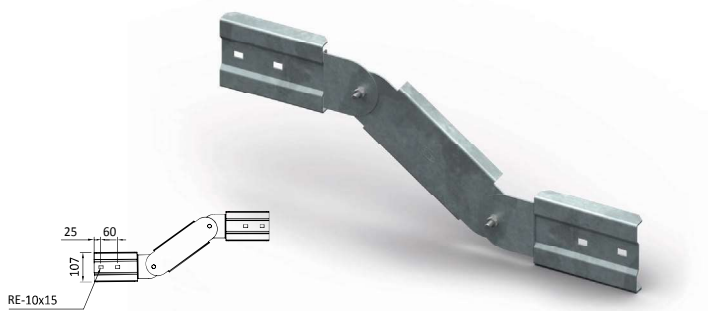
| Model   | Size (mm.) | Unit Price |        |
|---------|------------|------------|--------|
|         | Height     | Paint      | HDG    |
| VSP-100 | 100        | 250.00     | 350.00 |

| Bolts and Nuts for VSP CUP square neck set |        | Qty. per set |
|--|--------|--------------|
| CUP square neck bolt                       | M8x20L | 1            |
| Nut  | M8     | 1            |
| Flat washer                                | M8     | 1            |
| Spring washer                              | M8     | 1            |
| Price per set                              |        |              |
| White Zinc                                 |        | 5.00         |
| SS304                                      |        | 15.00        |

| Bolts and Nuts for VSP HEX head bolt set |        | Qty. per set |
|--|--------|--------------|
| HEX head bolt                            | M8x25L | 1            |
| Nut                                      | M8     | 1            |
| Flat washer                              | M8     | 2            |
| Spring washer                            | M8     | 1            |
| Price per set                            |        |              |
| White Zinc                               |        | 5.00         |
| SS304                                    |        | 15.00        |

1 set of VSP uses 4 sets of CUP bolts and 1 set of HEX head bolt  
ข้อต่อโยกขึ้น-ลง 1 ชุดใช้ชุดน็อต CUP bolt 4 ชุด และ HEX head bolt 1 ชุด

### VESP: Vertical Extended Adjustable Splice Plate (ข้อต่อโยกค่อม้า)



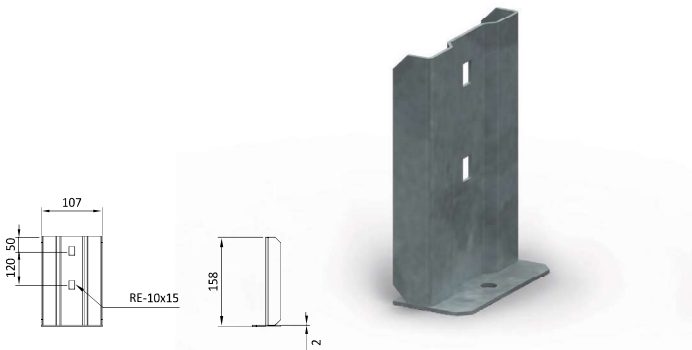
| Model    | Size (mm.) | Unit Price |        |
|----------|------------|------------|--------|
|          | Height     | Paint      | HDG    |
| VESP-100 | 100        | 300.00     | 400.00 |

| Bolts and Nuts for VESP CUP square neck set |        | Qty. per set |
|---|--------|--------------|
| CUP square neck bolt                        | M8x20L | 1            |
| Nut   | M8     | 1            |
| Flat washer                                 | M8     | 1            |
| Spring washer                               | M8     | 1            |
| Price per set                               |        |              |
| White Zinc                                  |        | 5.00         |
| SS304                                       |        | 15.00        |

| Bolts and Nuts for VESP HEX head bolt set |        | Qty. per set |
|---|--------|--------------|
| HEX head bolt                             | M8x25L | 1            |
| Nut                                       | M8     | 1            |
| Flat washer                               | M8     | 2            |
| Spring washer                             | M8     | 1            |
| Price per set                             |        |              |
| White Zinc                                |        | 5.00         |
| SS304                                     |        | 15.00        |

1 set of VESP uses 4 sets of CUP bolts and 2 sets of HEX head bolt  
ข้อต่อโยกค่อม้า 1 ชุดใช้ชุดน็อต CUP bolt 4 ชุด และ HEX head bolt 2 ชุด

### FE: Flange End (ข้อต่อลงตู้)



| Model  | Size (mm.) | Unit Price |        |
|--------|------------|------------|--------|
|        | Height     | Paint      | HDG    |
| FE-100 | 100        | 70.00      | 120.00 |

| Bolts and Nuts for FE CUP square neck set |        | Qty. per set |
|---|--------|--------------|
| CUP square neck bolt                      | M8x20L | 1            |
| Nut                                       | M8     | 1            |
| Flat washer                               | M8     | 1            |
| Spring washer                             | M8     | 1            |
| Price per set                             |        |              |
| White Zinc                                |        | 5.00         |
| SS304                                     |        | 15.00        |

| Bolts and Nuts for FE HEX head bolt set |        | Qty. per set |
|---|--------|--------------|
| HEX head bolt                           | M8x25L | 1            |
| Nut                                     | M8     | 1            |
| Flat washer                             | M8     | 2            |
| Spring washer                           | M8     | 1            |
| Price per set                           |        |              |
| White Zinc                              |        | 5.00         |
| SS304                                   |        | 15.00        |

1 set of FE uses 2 sets of CUP bolt and 1 set of HEX head bolt  
ข้อต่อลงตู้ 1 ชุด ใช้ ชุดนี้ชุด CUP bolt 2 ชุด และ HEX head bolt 1 ชุด

### HDC: Hold Down Clamp (แคลมป์ล็อกคราง)

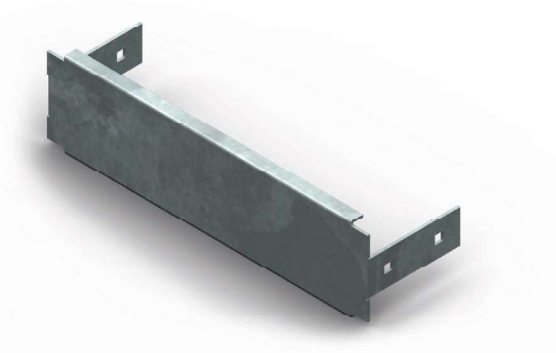


| Model   | Size (mm.) | Unit Price |       |
|---------|------------|------------|-------|
|         | Height     | Paint      | HDG   |
| HDC-100 | 100        | 40.00      | 70.00 |

| Bolts and Nuts for HDC HEX head bolt set |        | Qty. per set |
|--|--------|--------------|
| HEX head bolt                            | M8x25L | 1            |
| Nut                                      | M8     | 1            |
| Flat washer                              | M8     | 2            |
| Spring washer                            | M8     | 1            |
| Price per set                            |        |              |
| White Zinc                               |        | 5.00         |
| SS304                                    |        | 15.00        |

1 set of HDC uses 1 set of bolts and nuts  
แคลมป์ล็อกคราง 1 ชุด ใช้ ชุดนี้ชุด 1 ชุด

### BE: Blind End (แผ่นปิดท้าย)

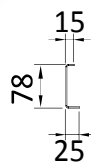


| Model   | Size (mm.) |        |        | Unit Price |  |
|---------|------------|--------|--------|------------|--|
|         | Width      | Paint  | HDG    |            |  |
| BE-200  | 200        | 130.00 | 150.00 |            |  |
| BE-300  | 300        | 150.00 | 180.00 |            |  |
| BE-400  | 400        | 180.00 | 210.00 |            |  |
| BE-500  | 500        | 210.00 | 240.00 |            |  |
| BE-600  | 600        | 240.00 | 270.00 |            |  |
| BE-700  | 700        | 270.00 | 300.00 |            |  |
| BE-800  | 800        | 300.00 | 330.00 |            |  |
| BE-900  | 900        | 330.00 | 360.00 |            |  |
| BE-1000 | 1000       | 360.00 | 390.00 |            |  |

| Bolts and Nuts for BE CUP square neck set |        | Qty. per set |
|---|--------|--------------|
| CUP square neck bolt                      | M8x20L | 1            |
| Nut                                       | M8     | 1            |
| Flat washer                               | M8     | 1            |
| Spring washer                             | M8     | 1            |
| Price per set                             |        |              |
| White Zinc                                |        | 5.00         |
| SS304                                     |        | 15.00        |

1 set of BE uses 4 sets of bolts and nuts  
แผ่นปิดท้าย 1 ชุดใช้ชุดน็อต 4 ชุด

### DS: Divider Strip (แผ่นกั้นกลาง)

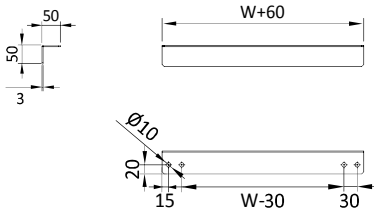


| Model  | Size (mm.) |        | Unit Price |          |
|--------|------------|--------|------------|----------|
|        | Height     | Length | Paint      | HDG      |
| DS-100 | 100        | 2990   | 600.00     | 1,000.00 |

| Bolts and Nuts for DS HEX head bolt set |        | Qty. per set |
|---|--------|--------------|
| Hex head bolt                           | M6x15L | 1            |
| Nut                                     | M6     | 1            |
| Flat washer                             | M6     | 2            |
| Spring washer                           | M6     | 1            |
| Price per set                           |        |              |
| White Zinc                              |        | 5.00         |
| SS304                                   |        | 15.00        |

1 set of DS uses 4 sets of bolts and nuts  
แผ่นกั้นกลาง 1 ชุดใช้ชุดน็อต 4 ชุด

### HG: Hanger (แฮงเกอร์)

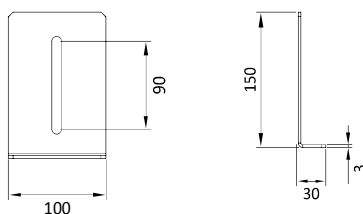
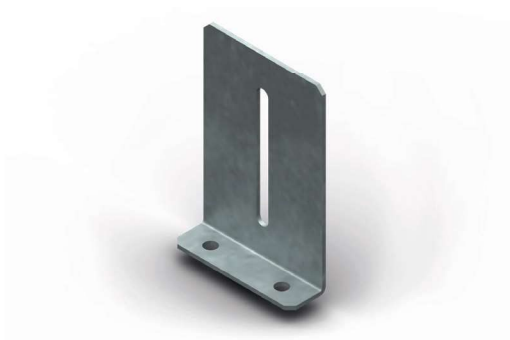


| Model   | Size (mm.) | Unit Price |        |
|---------|------------|------------|--------|
|         |            | Width      | Paint  |
| HG-200  | 200        | 100.00     | 150.00 |
| HG-300  | 300        | 120.00     | 175.00 |
| HG-400  | 400        | 130.00     | 200.00 |
| HG-500  | 500        | 150.00     | 225.00 |
| HG-600  | 600        | 170.00     | 250.00 |
| HG-700  | 700        | 200.00     | 275.00 |
| HG-800  | 800        | 220.00     | 300.00 |
| HG-900  | 900        | 245.00     | 325.00 |
| HG-1000 | 1000       | 270.00     | 350.00 |

| Bolts and Nuts for HG<br>HEX head bolt set |        | Qty. per set |
|--|--------|--------------|
| Hex head bolt                              | M6x25L | 1            |
| Nut  | M6     | 1            |
| Flat washer                                | M6     | 2            |
| Spring washer                              | M6     | 1            |
| Price per set                              |        |              |
| White Zinc                                 |        | 5.00         |
| SS304                                      |        | 15.00        |

1 set of HG uses 2 sets of bolts and nuts  
แฮงเกอร์ 1 ชุดใช้ชุดน๊อต 2 ชุด

### SS: Side Support (ประกบยึดข้าง)



| Model  | Size (mm.) | Unit Price |       |
|--------|------------|------------|-------|
|        |            | Height     | Paint |
| SS-150 | 150        | 50.00      | 90.00 |

| Bolts and Nuts for SS<br>HEX head bolt set |        | Qty. per set |
|--|--------|--------------|
| Hex head bolt                              | M8x25L | 1            |
| Nut  | M8     | 1            |
| Flat washer                                | M8     | 2            |
| Spring washer                              | M8     | 1            |
| Price per set                              |        |              |
| White Zinc                                 |        | 5.00         |
| SS304                                      |        | 15.00        |

1 set of SS uses 3 sets of bolts and nuts  
ประกบยึดข้าง 1 ชุดใช้ชุดน๊อต 3 ชุด