



THAI SWITCHBOARD AND METAL WORK CO., LTD.



CD
SERIES
CATALOG

INNOVATIVE TECHNOLOGY
SUPERIOR QUALITY
COMPETITIVE PRODUCT PRICE



WWW.TAMCO.CO.TH



ENCLOSURE IP RATING GUIDE

The Code and Rating System

IP X X

Code Letters
(IP=Ingress Protection)



SOLIDS

LIQUIDS

First Number

Level of protection against solid objects, materials or dust

Second Number

Level of protection against water and other liquids

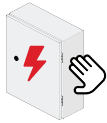
0

No Protection

0

No Protection

1



Protected against a solid object greater than 50 mm. (2~in), such as a hand.

1



Protected against vertically falling drops of water for 10 minutes at rate of 1 mm. /min.

2



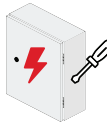
Protected against a solid object greater than 12.5 mm. (1/2in), such as a finger.

2



Protected against diagonally falling (up to 15-deg.) drops of water for 10 minutes at rate of 3mm./ min.

3



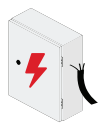
Protection against a solid object greater than 2.5 mm. such as a screwdriver.

3



Protected against diagonally falling (up to 60-deg.) spray (from a hose) for 5 minutes at 0.7 liters/min. at 80-100 kPa.

4



Protection against a solid object greater than 1.0 mm. such as a wire.

4



Protected against water splashed from all directions for 5 minutes at 10 liters/min at 80-100 kPa.

5



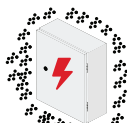
Dust proof. Dust must not penetrate to an extent that equipment operation or safety are impaired.

5



Protected against a 6.3 mm. water nozzle for 3 minutes at 12.5 liters/min. at 30 kPa at a distance of 3m.

6



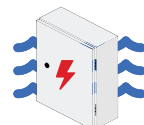
Dust-tight: No ingress of dust.

6



Protected against at 12.5 mm. water nozzle for 3 minutes at 100 liters/min. at 100 kPa at a distance of 3m.

7



Protected against at 30 minutes submersion at a depth of 1m.

8



Protected against continuous submersion at a depth of 3m.

Example : TAMCO Control Desk: IP 4 0

First Number: Protected from a solid object greater than 1.0 mm.

Second Number: No water protection.



CD SERIES CONTROL DESK

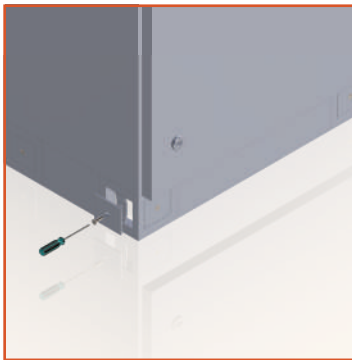
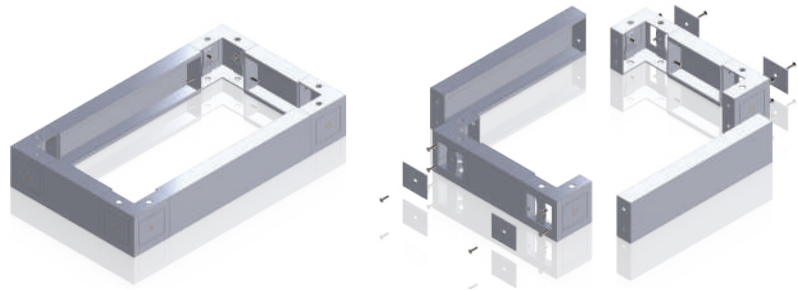
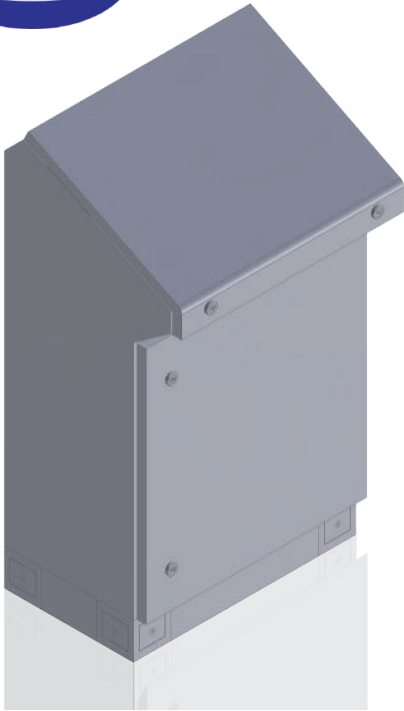


What is CD Series?

Control Desk Series (also called CD Series) is ergonomically designed for station operators. This series is suitable for controlling machinery system, electronics, and communication devices. Protection category is IP40. There are 12 standard designs available.

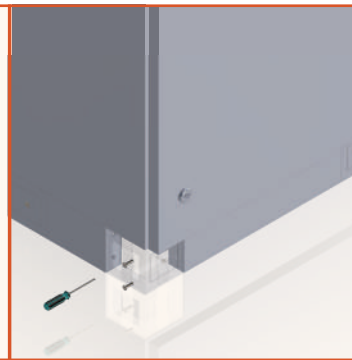
ตู้ควบคุมไฟฟ้า

ออกแบบสำหรับใช้กับแผงควบคุมเครื่องจักร อุปกรณ์ไฟฟ้า และอุปกรณ์ที่ใช้ในการสื่อสาร สามารถกันฝุ่นและละอองน้ำได้ในระดับ IP40 มีขนาดมาตรฐานทั้งหมด 12 รูปแบบด้วยกัน



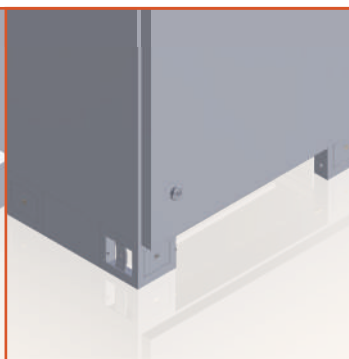
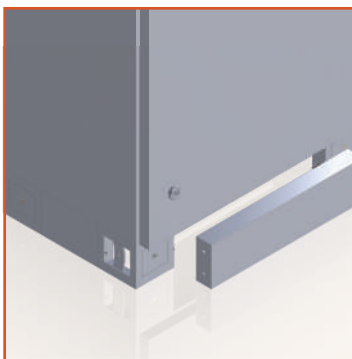
1. ใช้ไขควงไขสกรู เพื่อถอดแผ่นปิดสี่เหลี่ยมมุมฐาน ด้านซ้ายและด้านขวาออก

Using a screwdriver to remove the base corner cover plates on both left and right side.



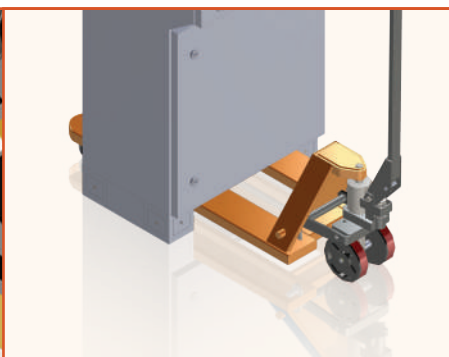
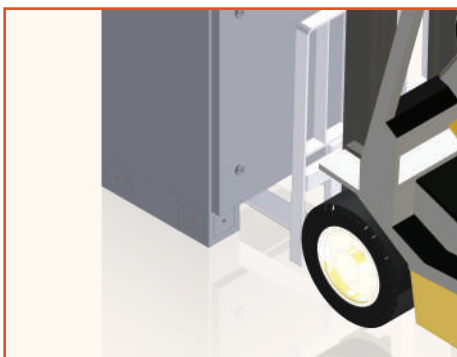
2. ไขสกรูด้านในมุมฐาน ทั้งด้านหน้าและด้านหลังออก

Unscrew the screws inside the base cover on both front and rear side.



3. ถอดคานด้านกว้างของฐานออก ทั้งด้านหน้าและด้านหลังเพื่อให้มีช่องว่างตรงกลาง เพื่อใช้สำหรับเข้าสายไฟหรือเชื่อมต่ออุปกรณ์ต่างๆ

Take off the beams on both front and rear side for maneuvering purpose, cable entry, wiring or connecting to other equipment.



4. ในส่วนของการขนย้ายสามารถใช้รถ forklift หรือ hand lift เสียบตรงกลาง ทำให้สะดวกในการเคลื่อนย้ายตู้

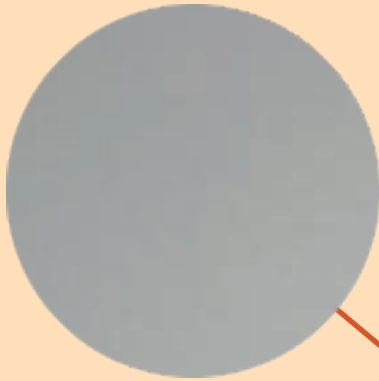
The control desk can be maneuvered conveniently by inserting a forklift or a hand lift under the control desk.



TAMCO

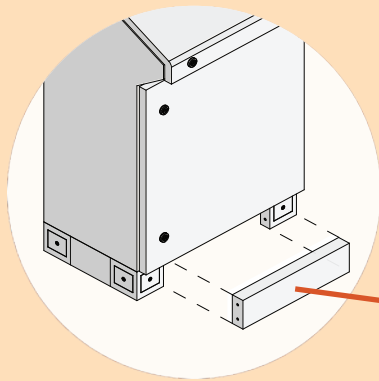
Contents

Innovative Technology	1
Product Specification & Price Lists	
CDA Series - Single door	3
CDA Series - Double door	5
CDB Series - Single door	7
CDB Series - Double door	9
CDC Series - Single door	11
CDC Series - Double door	13
CDS Series	15
Other Products	17



Electro-Galvanized Steel

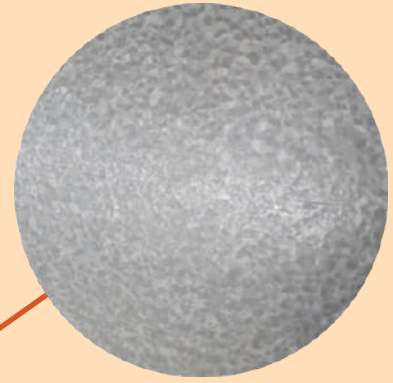
- Provides higher corrosion resistance and higher performance.
- Long life - the life expectancy of electro-galvanized steel is around 20-30 years.



Maneuverability

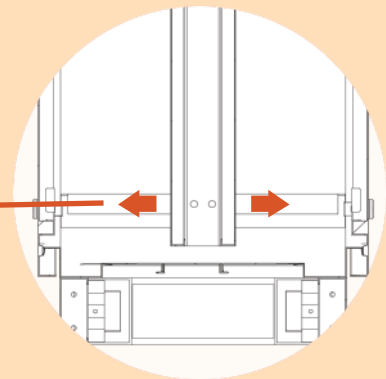
- The CD Series' base is designed for ease of maneuvering. By removing the screws at the base, customers can easily use a forklift to move it.





Aluminium-Zinc Steel as Mounting Plate

- Aluminium-zinc steel - with its mixture of Aluminium, Zinc and Silicon, it gives superior long term corrosion resistance.
- Ease of electrical components installation.



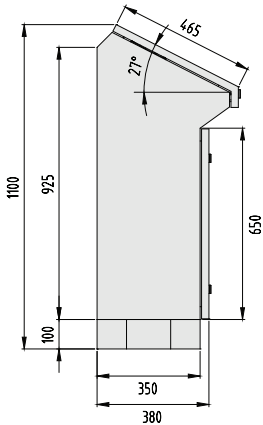
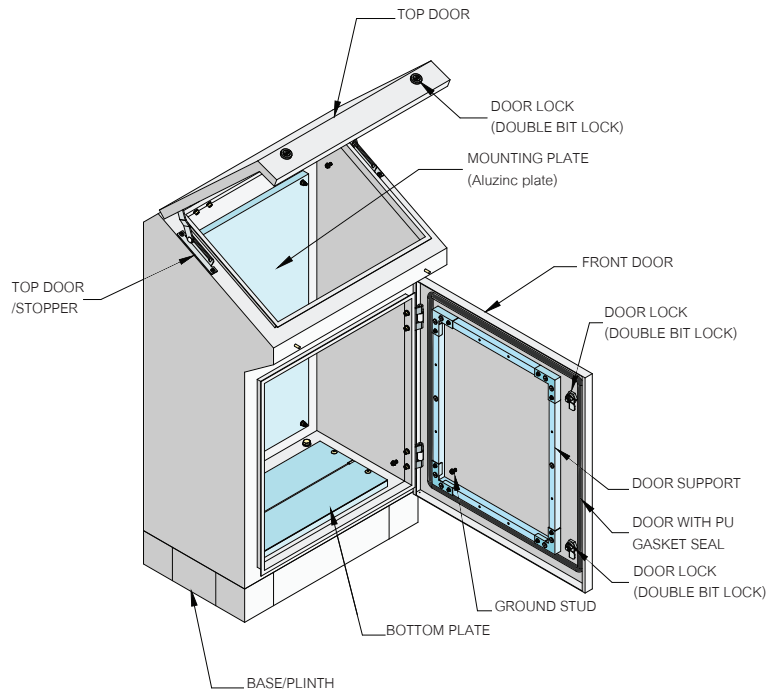
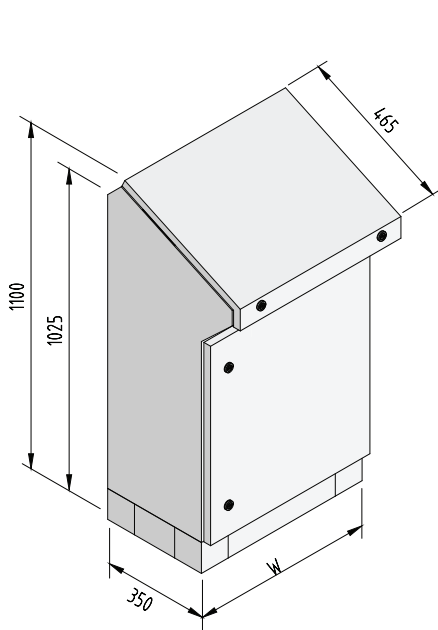
Accessibility

- CD Series is designed to conveniently access the wiring system inside the panel.
- With a movable mounting plate, CD Series can be adjusted to serve any functions.

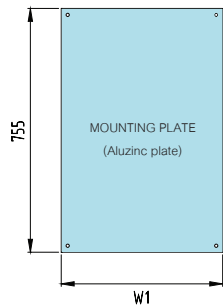


Specification

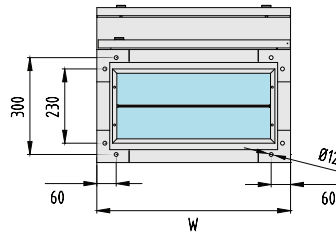
Material	Electro-Galvanized Steel (EG)		Aluminium-Zinc Coated Steel (Aluzinc)	
Thickness (mm.)	Enclosure Frame	Door	Mounting Plate	Bottom Plate
	1.5	1.5	2.0	1.5
Finished Surface	Polyester powder coated with UV Protection paint RAL-7035		Aluminium-Zinc Coated Steel (Aluzinc)	
Protection Rating	IP40			
Supply includes	<ul style="list-style-type: none"> -Enclosure frame with door -Mounting plate -Bottom plate -Door and cover with PU gasket seal -Double bit lock with key 			



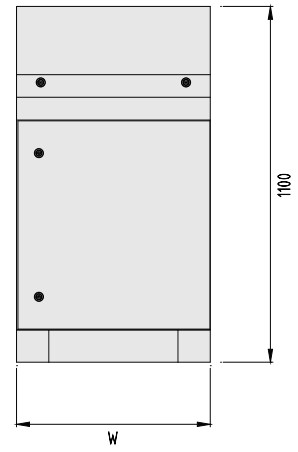
SIDE VIEW



FRONT MOUNTING PLATE



BOTTOM VIEW



FRONT VIEW

Price List

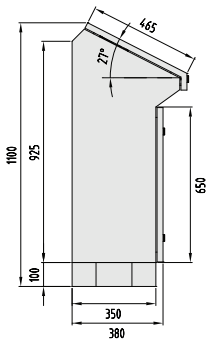
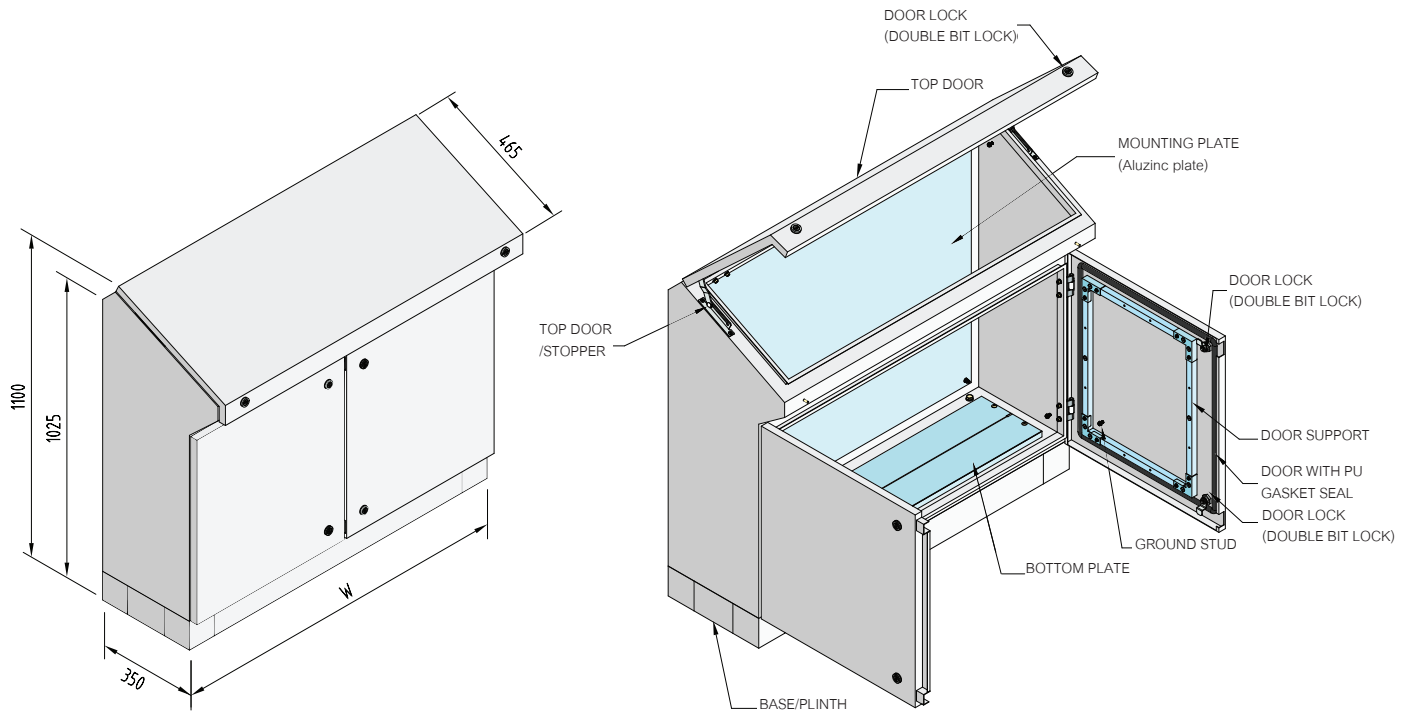


รุ่น Model	ขนาดตู้ Enclosure Dimension (mm.)			เพลทยึดอุปกรณ์ Mounting Plate (Aluzinc Plate)		น้ำหนักตู้ Approx. Weight (Kg.)	ราคาต่อหน่วย Unit Price (Baht)
	Width (W)	Height (H)	Depth (D)	Dimension (mm.) W1 H1			
CDA-600	600	1100	350	500	755	63	14,000.00
CDA-800	800	1100	350	700	755	77.5	16,000.00

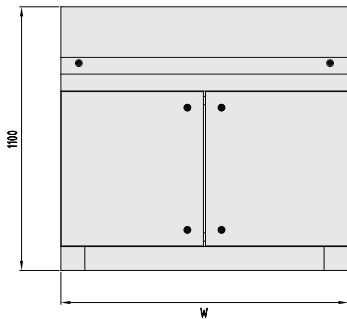


Specification

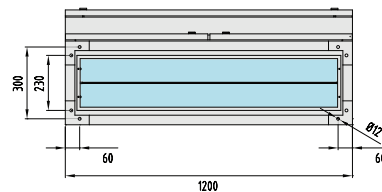
Material	Electro-Galvanized Steel (EG)		Aluminium-Zinc Coated Steel (Aluzinc)	
Thickness (mm.)	Enclosure Frame	Door	Mounting Plate	Bottom Plate
	1.5	1.5	2.0	1.5
Finished Surface	Polyester powder coated with UV Protection paint RAL-7035		Aluminium-Zinc Coated Steel (Aluzinc)	
Protection Rating	IP40			
Supply includes	<ul style="list-style-type: none"> -Enclosure frame with door -Mounting plate -Bottom plate -Door and cover with PU gasket seal -Double bit lock with key 			



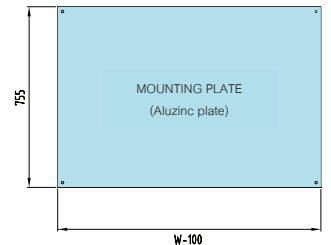
SIDE VIEW



FRONT VIEW



BOTTOM VIEW



FRONT MOUNTING PLATE

Price List



รุ่น Model	ขนาดตู้ Enclosure Dimension (mm.)			เพลทยึดอุปกรณ์ Mounting Plate (Aluzinc Plate)		น้ำหนักตู้ Approx. Weight (Kg.)	ราคาต่อหน่วย Unit Price (Baht)
	Width (W)	Height (H)	Depth (D)	Dimension (mm.) W1 H1			
CDA-1000	1000	1100	350	900	755	90	19,000.00
CDA-1200	1200	1100	350	1100	755	100	21,000.00

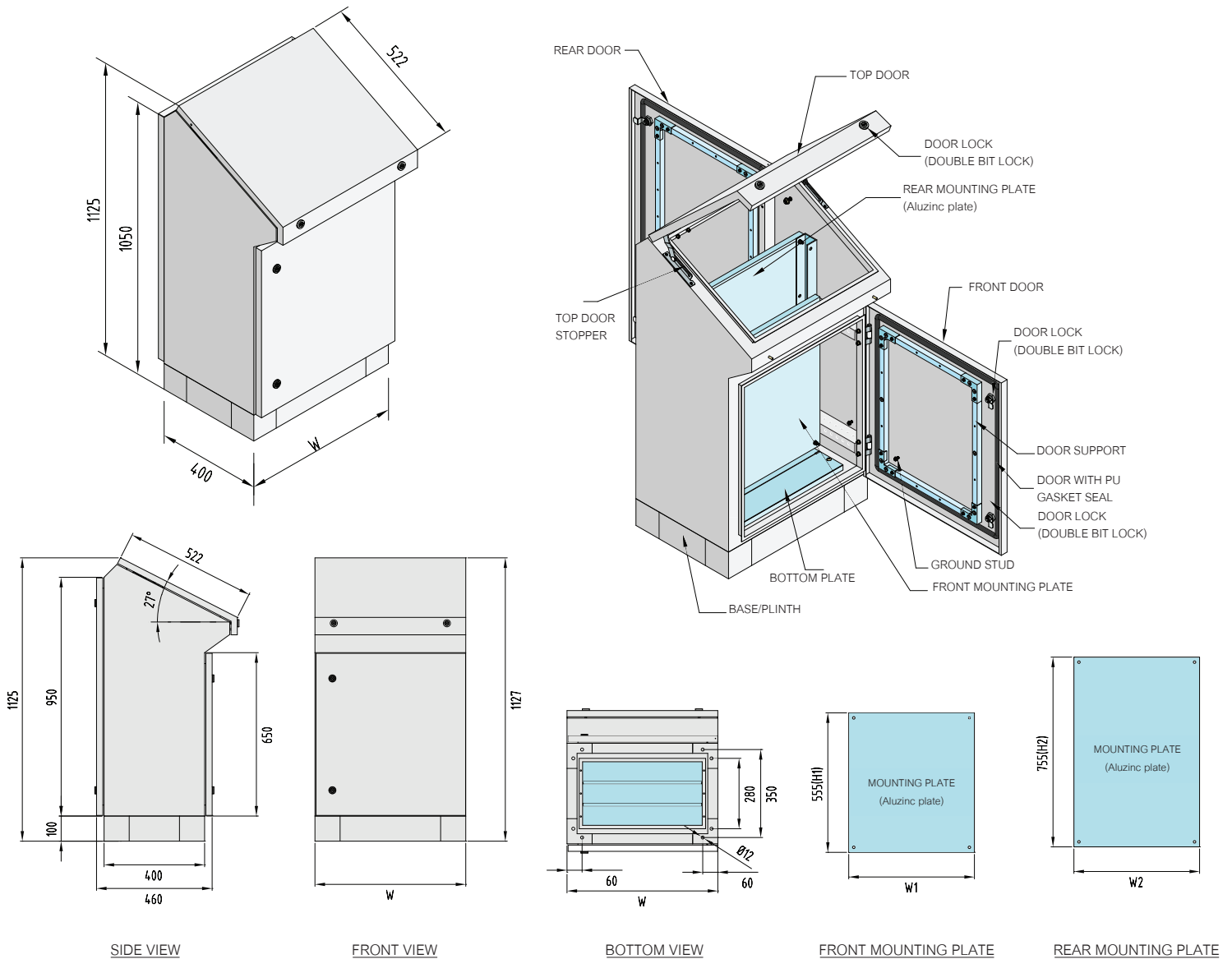


Specification

Material	Electro-Galvanized Steel (EG)		Aluminium-Zinc Coated Steel (Aluzinc)	
Thickness (mm.)	Enclosure Frame	Door	Mounting Plate	Bottom Plate
	1.5	1.5	2.0	1.5
Finished Surface	Polyester powder coated with UV Protection paint RAL-7035		Aluminium-Zinc Coated Steel (Aluzinc)	
Protection Rating	IP40			
Supply includes	<ul style="list-style-type: none"> -Enclosure frame with door -Mounting plate -Bottom plate -Door and cover with PU gasket seal -Double bit lock with key 			



FRONT & REAR ACCESS, SINGLE DOOR



Price List



รุ่น Model	ขนาดตู้ Enclosure Dimension (mm.)			เพลทยึดอุปกรณ์ Mounting Plate (Aluzinc Plate)				น้ำหนักตู้ Approx. Weight (Kg.)	ราคาต่อหน่วย Unit Price (Baht)
	Width (W)	Height (H)	Depth (D)	Front Side Dimension (mm.)		Rear Side Dimension (mm.)			
				W1	H1	W2	H2		
CDB-600	600	1125	400	500	555	500	755	79	17,000.00
CDB-800	800	1125	400	700	555	700	755	94	20,000.00



FRONT & REAR ACCESS, DOUBLE DOOR

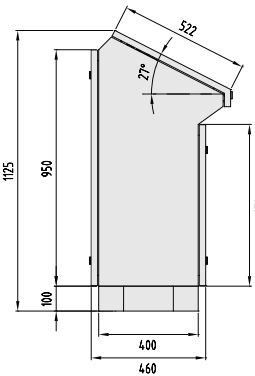
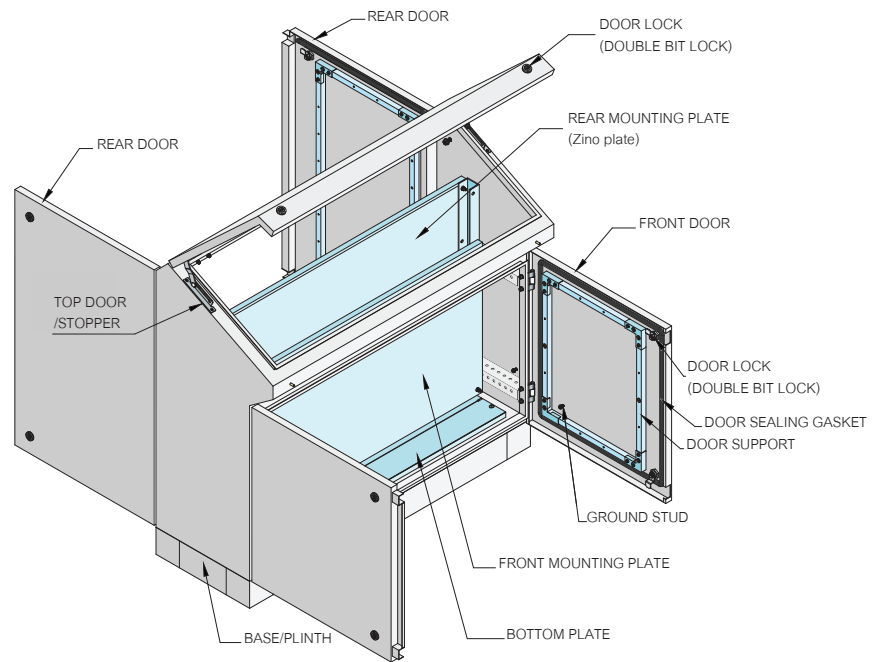
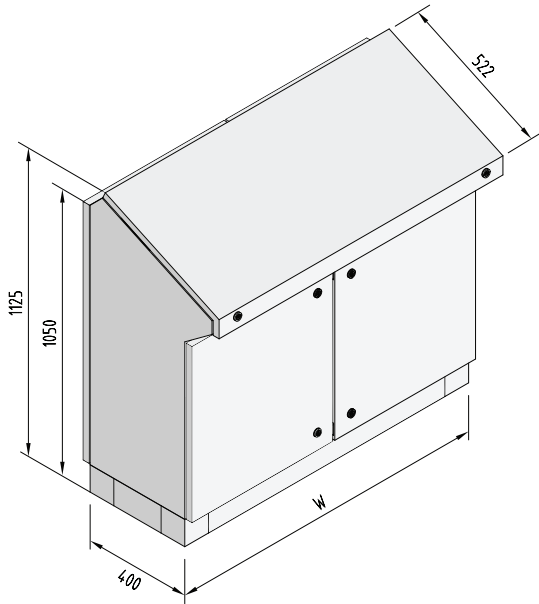


Specification

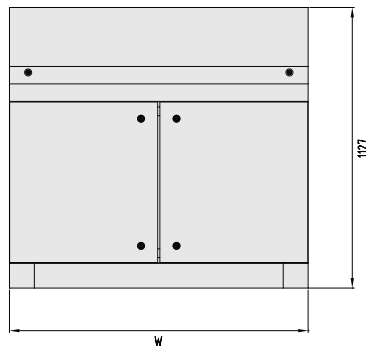
Material	Electro-Galvanized Steel (EG)		Aluminium-Zinc Coated Steel (Aluzinc)	
Thickness (mm.)	Enclosure Frame	Door	Mounting Plate	Bottom Plate
	1.5	1.5	2.0	1.5
Finished Surface	Polyester powder coated with UV Protection paint RAL-7035		Aluminium-Zinc Coated Steel (Aluzinc)	
Protection Rating	IP40			
Supply includes	<ul style="list-style-type: none"> -Enclosure frame with door -Mounting plate -Bottom plate -Door and cover with PU gasket seal -Double bit lock with key 			



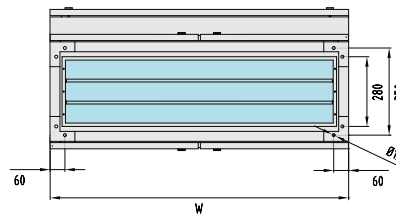
FRONT & REAR ACCESS, DOUBLE DOOR



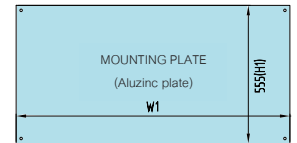
SIDE VIEW



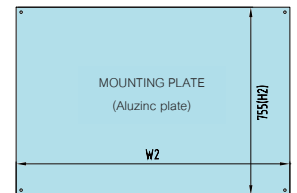
FRONT VIEW



BOTTOM VIEW



FRONT MOUNTING PLATE



REAR MOUNTING PLATE

Price List



รุ่น Model	ขนาดตู้ Enclosure Dimension (mm.)			เพลทยึดอุปกรณ์ Mounting Plate (Aluzinc Plate)				น้ำหนักตู้ Approx. Weight (Kg.)	ราคาต่อหน่วย Unit Price (Baht)
	Width (W)	Height (H)	Depth (D)	Front Side Dimension (mm.)		Rear Side Dimension (mm.)			
				W1	H1	W2	H2		
CDB-1000	1000	1125	400	900	555	900	755	119	23,000.00
CDB-1200	1200	1125	400	1100	555	1100	755	132	25,000.00

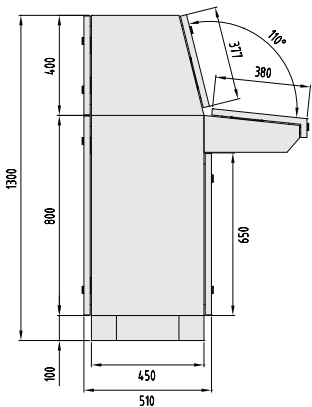
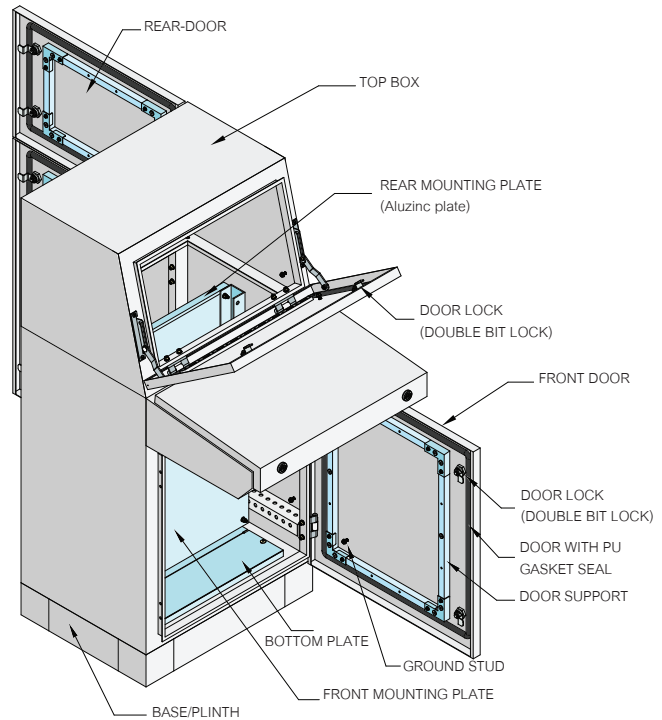
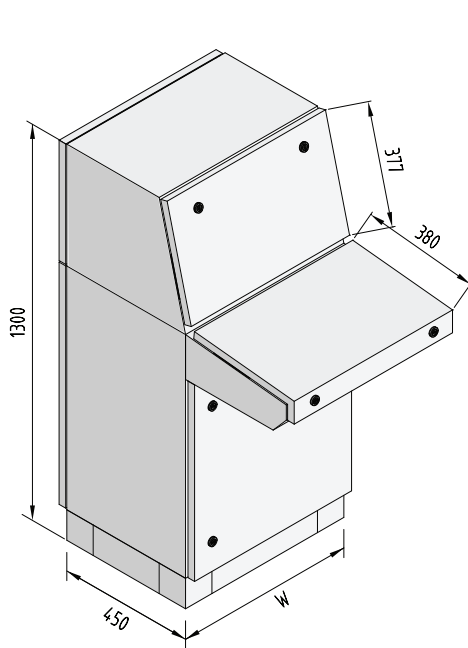


Specification

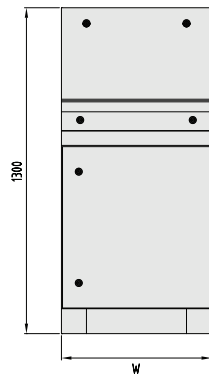
Material	Electro-Galvanized Steel (EG)		Aluminium-Zinc Coated Steel (Aluzinc)	
Thickness (mm.)	Enclosure Frame	Door	Mounting Plate	Bottom Plate
	1.5	1.5	2.0	1.5
Finished Surface	Polyester powder coated with UV Protection paint RAL-7035		Aluminium-Zinc Coated Steel (Aluzinc)	
Protection Rating	IP40			
Supply includes	<ul style="list-style-type: none"> -Enclosure frame with door -Mounting plate -Bottom plate -Door and cover with PU gasket seal -Double bit lock with key 			



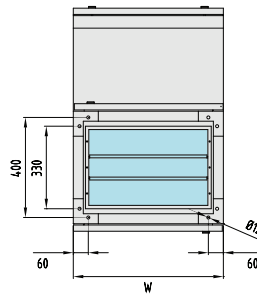
FRONT, REAR & TOP ACCESS, SINGLE DOOR



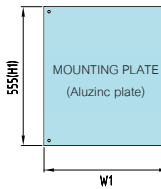
SIDE VIEW



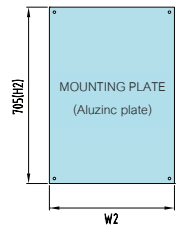
FRONT VIEW



BOTTOM VIEW



FRONT MOUNTING PLATE



REAR MOUNTING PLATE

Price List



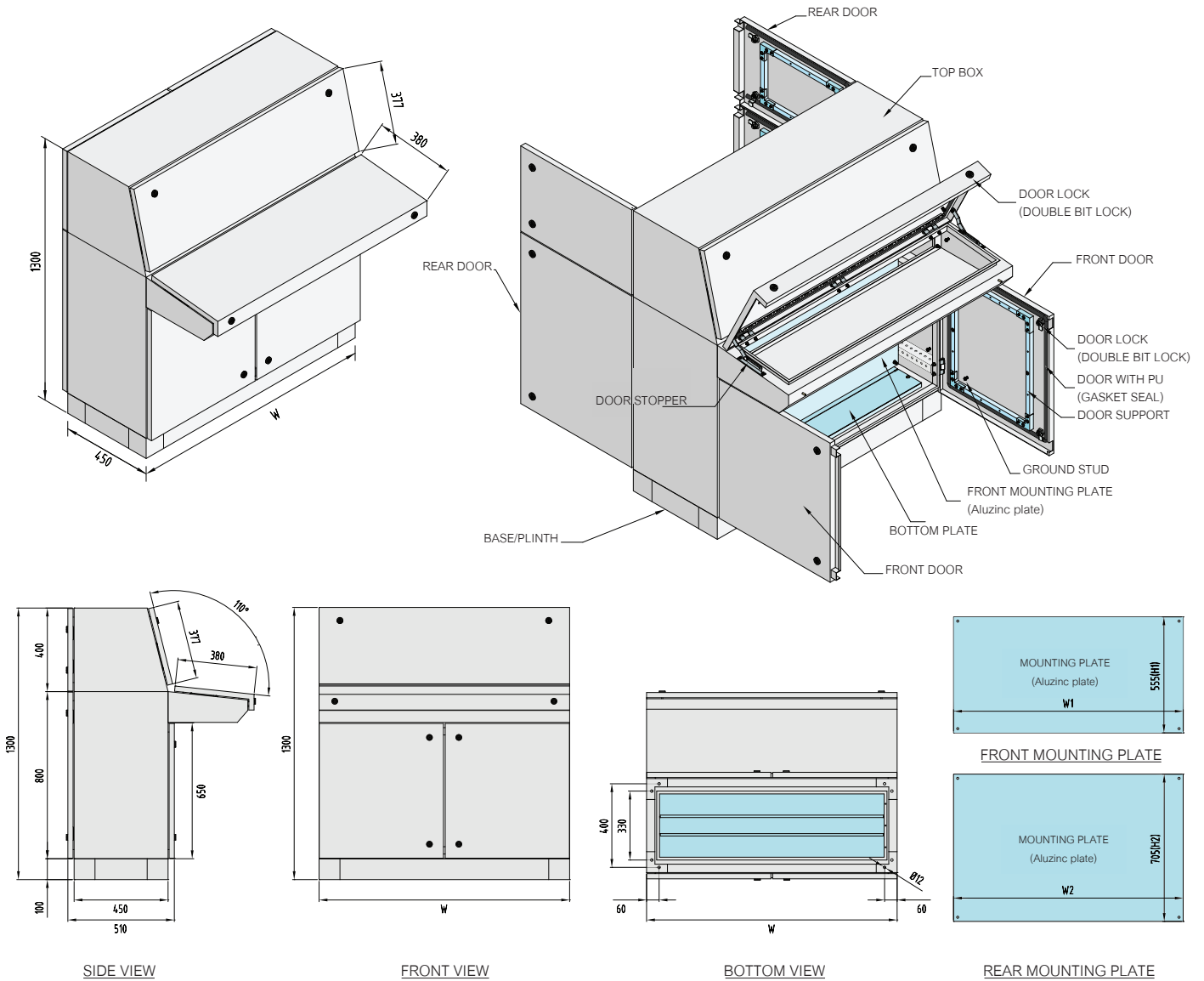
รุ่น Model	ขนาดตู้ Enclosure Dimension (mm.)			เพลทยึดอุปกรณ์ Mounting Plate (Aluzinc Plate)				น้ำหนักตู้ Approx. Weight (Kg.)	ราคาต่อหน่วย Unit Price (Baht)
	Width (W)	Height (H)	Depth (D)	Front Side Dimension (mm.)		Rear Side Dimension (mm.)			
				W1	H1	W2	H2		
CDC-600	600	1300	450	500	555	500	705	111	45,000.00
CDC-800	800	1300	450	700	555	700	705	120	48,000.00



Specification

Material	Electro-Galvanized Steel (EG)		Aluminium-Zinc Coated Steel (Aluzinc)	
Thickness (mm.)	Enclosure Frame	Door	Mounting Plate	Bottom Plate
	1.5	1.5	2.0	1.5
Finished Surface	Polyester powder coated with UV Protection paint RAL-7035		Aluminium-Zinc Coated Steel (Aluzinc)	
Protection Rating	IP40			
Supply includes	<ul style="list-style-type: none"> -Enclosure frame with door -Mounting plate -Bottom plate -Door and cover with PU gasket seal -Double bit lock with key 			

FRONT, REAR & TOP ACCESS, DOUBLE DOOR



Price List

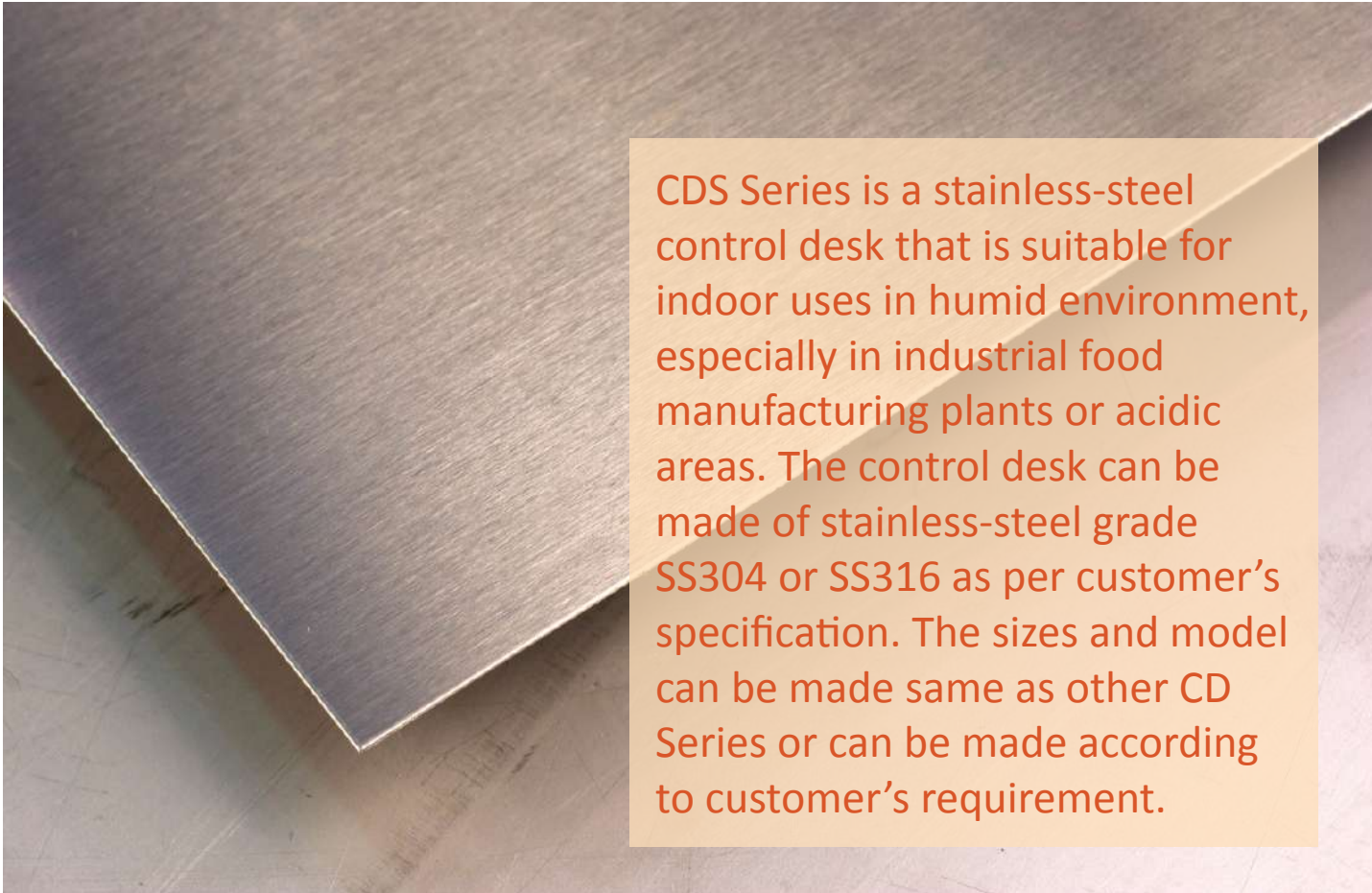


รุ่น Model	ขนาดตู้ Enclosure Dimension (mm.)			เพลทยึดอุปกรณ์ Mounting Plate (Aluzinc Plate)				น้ำหนักตู้ Approx. Weight (Kg.)	ราคาต่อหน่วย Unit Price (Baht)
	Width (W)	Height (H)	Depth (D)	Front Side Dimension (mm.)		Rear Side Dimension (mm.)			
				W1	H1	W2	H2		
CDC-1000	1000	1300	450	900	555	900	705	139	55,000.00
CDC-1200	1200	1300	450	1100	555	1100	705	159	65,000.00

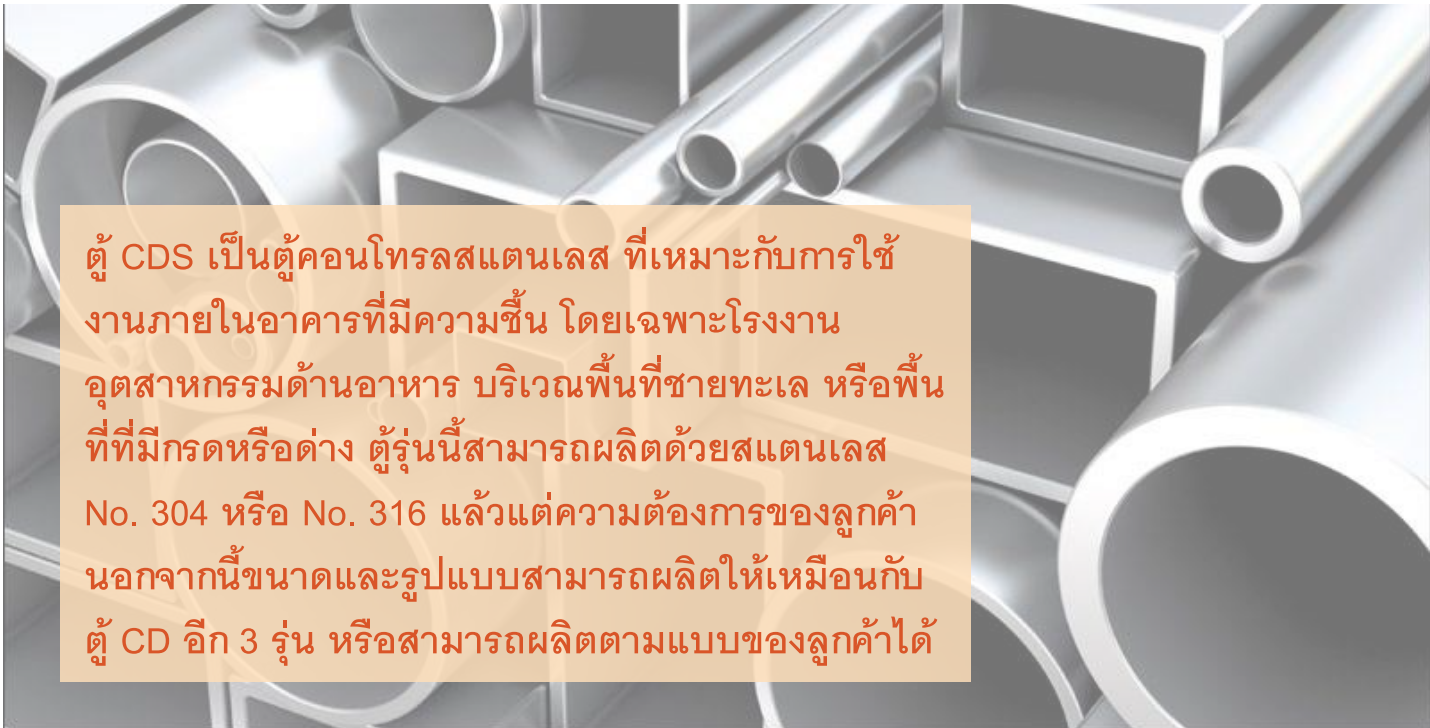


Specification

Material	Stainless Steel No. 304 or 316		Stainless Steel No. 304 or 316	
Thickness (mm.)	Enclosure Frame	Door	Mounting Plate	Bottom Plate
	1.5	1.5	2.0	1.5
Finished Surface	Brushed		Stainless Steel No. 304 or 316	
Protection Rating	IP40			
Supply includes	<ul style="list-style-type: none"> -Enclosure frame with door -Mounting plate -Bottom plate -Door and cover with PU gasket seal -Double bit lock with key 			



CDS Series is a stainless-steel control desk that is suitable for indoor uses in humid environment, especially in industrial food manufacturing plants or acidic areas. The control desk can be made of stainless-steel grade SS304 or SS316 as per customer's specification. The sizes and model can be made same as other CD Series or can be made according to customer's requirement.

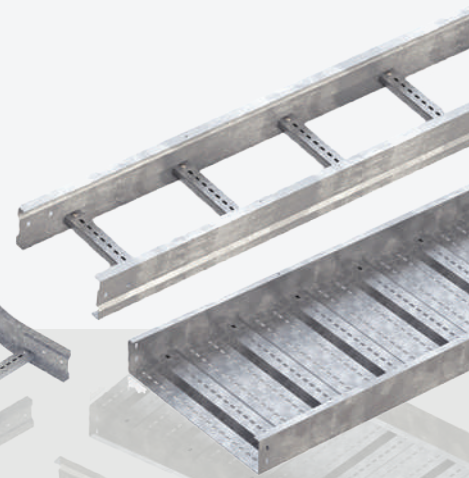
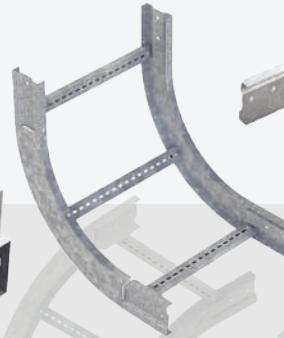


ตู้ CDS เป็นตู้คอนโทรลสแตนเลส ที่เหมาะกับการใช้งานภายในอาคารที่มีความชื้น โดยเฉพาะโรงงานอุตสาหกรรมด้านอาหาร บริเวณพื้นที่ชายทะเล หรือพื้นที่ที่มีกรดหรือด่าง ตู้รุ่นนี้สามารถผลิตด้วยสแตนเลส No. 304 หรือ No. 316 แล้วแต่ความต้องการของลูกค้า นอกจากนี้ขนาดและรูปแบบสามารถผลิตให้เหมือนกับตู้ CD อีก 3 รุ่น หรือสามารถผลิตตามแบบของลูกค้าได้

หมายเหตุ: สามารถสอบถามราคาได้จากตัวแทนจำหน่าย



Product Group		CE Series	ME Series
Product Name		Compact Enclosure	Modular Free-standing Enclosure
Product Descriptions		Small to large compact enclosure that comes with 14 different sizes. Suitable for both indoor and outdoor uses.	Knock-down enclosure with flexible solutions. Available in 7 sizes. Suitable for both indoor and outdoor uses.
Material	Steel (EG)	•	•
	Stainless Steel	•	
	Steel (Hot-rolled)		
	Steel (Cold-rolled)		
Coating	Hot-dip galvanized		
	Polyester powder paint	•	•
IP rating	IP40	•	•
	IP55	•	•
	IP66	•	
Made-to-order options			
Customized in sizes, materials, cut-outs, color		Available	Available



CD Series

Trunking system

Control Desk

Wire way

Cable Ladder

Cable Tray

This series is designed for controlling machinery system, electronics and communication devices.

-
-
-
-
-

Available

Suitable for indoor electrical system installation. Coated with polyester powder paint

-
-
-
-

Available

Suitable for both indoor and outdoor electrical system installation. Coated with polyester powder paint or hot-dip galvanized.

-
-
-
-

Available

Suitable for indoor electrical installation that needs special strength which can carry up to 600Kg. Coated with polyester powder paint or hot-dip galvanized.

-
-
-
-

Available

Distributed by :

